



Service Manual
International
Century 2
CLXT

Public Use
Wheelchair Lifts

Series AA



www.braunability.com/international ISO 9001:2008

631 West 11th Street, Winamac, IN 46996, USA

Phone: +1 574 946 6153

Fax: +1 574 946 4670



36713 Rev. A

December

2012

Original Instructions



Congratulations

We at The Braun Corporation wish to express our fullest appreciation on your new purchase. With you in mind, our skilled craftsmen have designed and assembled the finest lift available.

This manual provides maintenance and service-related material. Braun Century 2 Series™ lifts are built for dependability and will provide years of pleasure and independence as long as the lift is properly maintained and operated by an instructed person.

Sincerely,
THE BRAUN CORPORATION



Ralph W. Braun
Chief Executive Officer

Warranty

Consult your local Braun dealer regarding warranty policy.

www.braunlift.com/international

The Braun Corporation® INDIANA, USA	
MODEL NUMBER XXXXXXXXXX	→ Model No. _____
SERIAL NUMBER XX-XXXXX	→ Serial No. _____
MFG DATE XX/XX/XXXX	→ Date of Manufacture _____
CE	

Sample Serial No./Series No. Identification Tag

Model No. Serial No.

OWNER'S WARRANTY REGISTRATION	
XXXXXXXXXX XX-XXXXX	
PURCHASED FROM _____	
OWNER _____	
NAME _____	DATE INSTALLED _____
ADDRESS _____	
CITY _____	
TELEPHONE _____	STATE _____ ZIP _____
TO VALIDATE WARRANTY REGISTRATION CARDS MUST BE RETURNED TO THE BRAUN CORPORATION.	

Sample Warranty/Registration Card

Contents

Service Safety Precautions	2-3
Lift Specifications	4
Center of Gravity	5
Lift Terminology.....	6
Switch and Sensor Locations	7
Platform Fold Pressure Adjustment.....	8
Platform Angle Adjustment	9
Tower Microswitch Adjustment	10-11
Emergency Stop (E-Stop) Operating Instructions	12
Static and Dynamic Tests	13-14
Maintenance and Lubrication	16-21
Lift Electrical Schematic	22
Hydraulic Schematic	23
Hydraulics Parts List	24
Hydraulics Diagram	25
CL918 Pump Module Parts List	26
CL918 Pump Module Diagram	27
CL995 Pump Module Parts List	28
CL995 Pump Module Diagram	29
Base Plate Assembly.....	30-32
Top Parallel Arm Assembly.....	33-34
Bottom Parallel Arm Assembly	35-36
Hydraulic Cylinder Assembly.....	37-38
Vertical Arm Assembly.....	39-40
Arm Cover Assembly.....	41-42
Handrail Assembly.....	43-44
Platform Assembly.....	45-48
Decals and Antiskid	49-52
Declaration of Conformity - Machine	53-54
Declaration of Noise Emission.....	55
Declaration of Conformity - EMC.....	56

Document Cross Reference

Owner Manual #36712

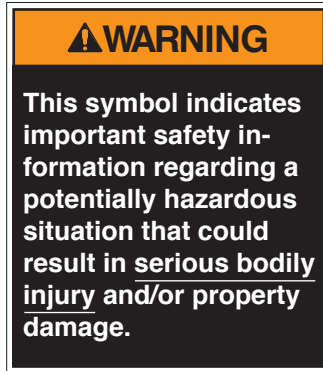
Service Safety Precautions

Safety Symbols

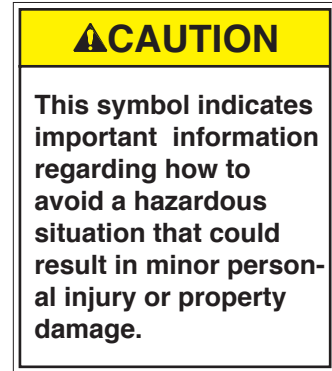
SAFETY FIRST! Know That....

A The information contained in this manual and supplements (if included), is provided for your use and safety. Familiarity with proper installation, operation, maintenance and service procedures is necessary to ensure safe, troublefree lift operation. Safety precautions are provided to identify potentially hazardous situations and provide instruction on how to avoid them.


B





C





D **NOTICE** Additional information provided to help clarify or detail a specific subject.


E  This symbol indicates that there are dangerous high voltages present inside the enclosure of this product. To reduce the risk of fire or electric shock, do not attempt to open the enclosure or gain access to areas where you are not instructed to do so. Refer servicing to qualified service personnel only.

F  This symbol indicates that a condition where damage to the equipment resulting injury could occur if operational procedures are not followed. To reduce the risk of damage or injury, refer to accompanying documents, follow all steps or procedures as instructed.

G  This symbol indicates that a condition where injury or damage could occur if contact is made with the hot surface.

H  This symbol indicates an area to avoid bodily contact to prevent injury.

I  This symbol indicates the presence of high pressure hydraulic hoses. Use appropriate personal protective equipment when working on hydraulic system.

J  This symbol indicates the presence of a fire hazard. Avoid open flames or sparks when working with flammable materials to prevent injury or damage.

These symbols will appear throughout this manual as well as on the labels posted on your lift.
Recognize the seriousness of this information.

Service Safety Precautions

Service Safety Precautions

⚠ WARNING

If maintenance or repair procedures cannot be completed exactly as provided in this manual or if the instructions are not fully understood, contact The Braun Corporation immediately. Failure to do so may result in serious bodily injury and/or property damage.

- ⚠ WARNING** Read this manual, supplement(s) and operating instructions decals before performing operation or service procedures.
- ⚠ WARNING** Use appropriate personal protective equipment when servicing the lift.
- ⚠ WARNING** Check for obstructions such as gas lines, wires, exhaust, etc. before drilling or cutting on vehicle.
- ⚠ WARNING** Route all cables clear of exhaust system, other hot areas, moving parts, wet areas, etc.
- ⚠ WARNING** Risk of electrical shock or fire! Use extra care when making electrical connections. Connect and secure as outlined in Installation Instructions and Wiring Diagrams.

- ⚠ WARNING** Adjust platform angle and floor level positioning of bridge plate before operating lift with passenger.
- ⚠ WARNING** Maintenance and repairs must be performed only by authorized service personnel.
- ⚠ WARNING** Perform maintenance and lubrication procedures exactly as outlined in the Maintenance and Lubrication Schedule contained in this manual.
- ⚠ WARNING** Disconnect the power cable at the battery prior to servicing.
- ⚠ WARNING** Never modify (alter) a Braun Corporation lift.
- ⚠ WARNING** Replacement parts must be Braun authorized replacements.
- ⚠ WARNING** Never install screws or fasteners (other than factory equipped).
- ⚠ WARNING** Whenever replacing a hydraulic cylinder or seals, lower platform fully.
- ⚠ WARNING** Failure to follow these safety precautions may result in serious bodily injury and/or property damage.

Specifications



The lift must be installed, operated, and maintained as detailed in applicable manuals. Any use of equipment other than instructed in this manual is prohibited.

The 363kg (800 lb.) lift capacity Century-2 series lifts have completed 15,600 cycles with a 363kg load and a static load test with a 1089kg (2400 lb.) load.

The 272kg (600 lb.) lift capacity Century-2 series lifts have completed 15,600 cycles with a 272kg load and a static load test with a 816kg (1800 lb.) load.

The specifications below reflect CE standards. Lifts meet or exceed these requirements.

Operating Temperature

This equipment will operate in its intended ambient at a minimum between -30°C and +65°C.

Relative Humidity

This equipment will operate correctly within an environment at 50% RH, at 40°C.

Altitude

This equipment will operate correctly up to 1000m above mean sea level.

Sound Pressure Level

The emission sound pressure level at the operator's position is expected not to exceed 70 db(A).

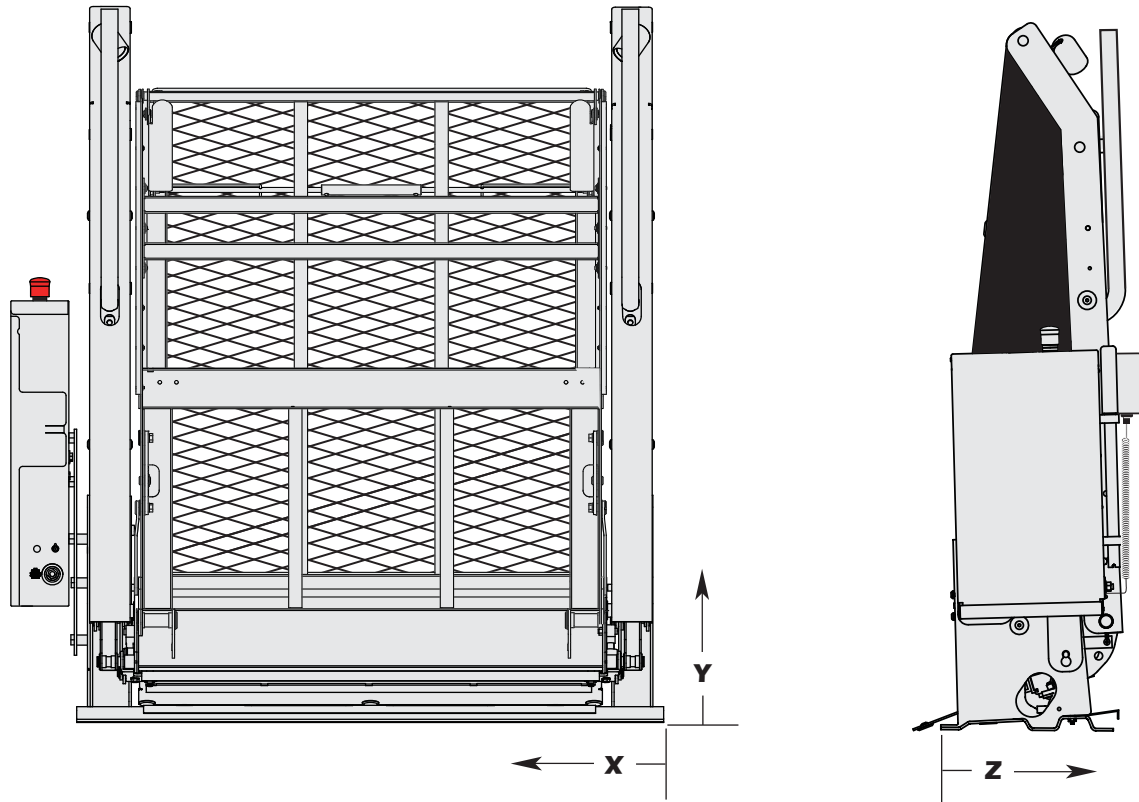
Transportation and Storage

This equipment will withstand, or has been protected against, transportation and storage temperatures of -25°C to +55°C, and for short periods of up to +70°C.

The lift has been packaged to prevent damage from the effects of normal humidity, vibration, and shock.

Lift Model	Maximum Load Capacity	Power Requirement	Lift Weight
CL918IBXT3456RP-2	363kg (800lbs)	12 VDC	164kg (361lbs)
CL918IBXT3460RP-2	363kg (800lbs)	12 VDC	176kg (366lbs)
CL995IBXT2752-2	272kg (600lbs)	12 VDC	128kg (282lbs)
CL995IBXT3052-2	272kg (600lbs)	12 VDC	130kg (286lbs)

Center of Gravity

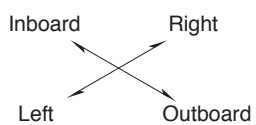
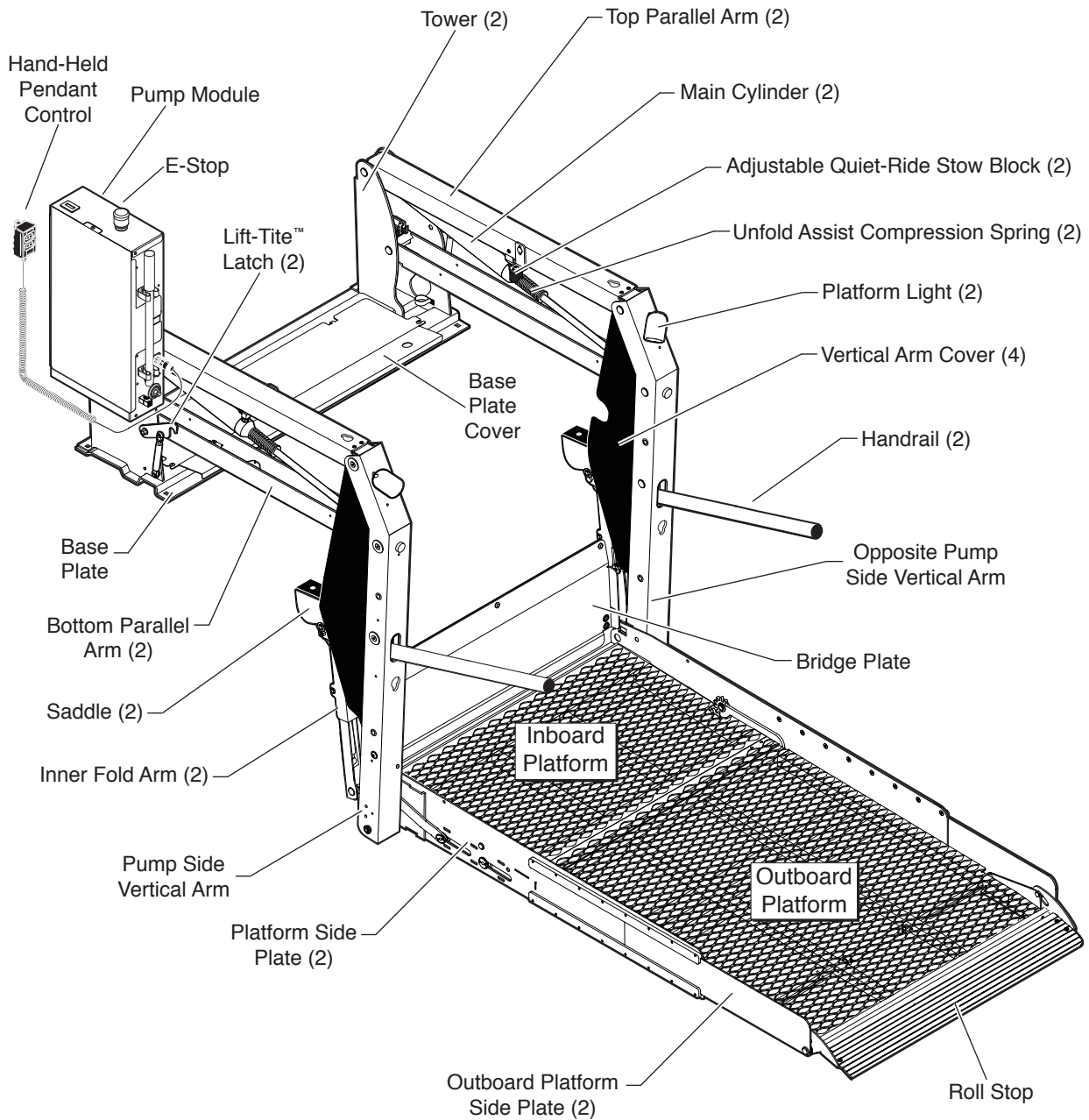


Center of Gravity is the intersection of X, Y, and Z.

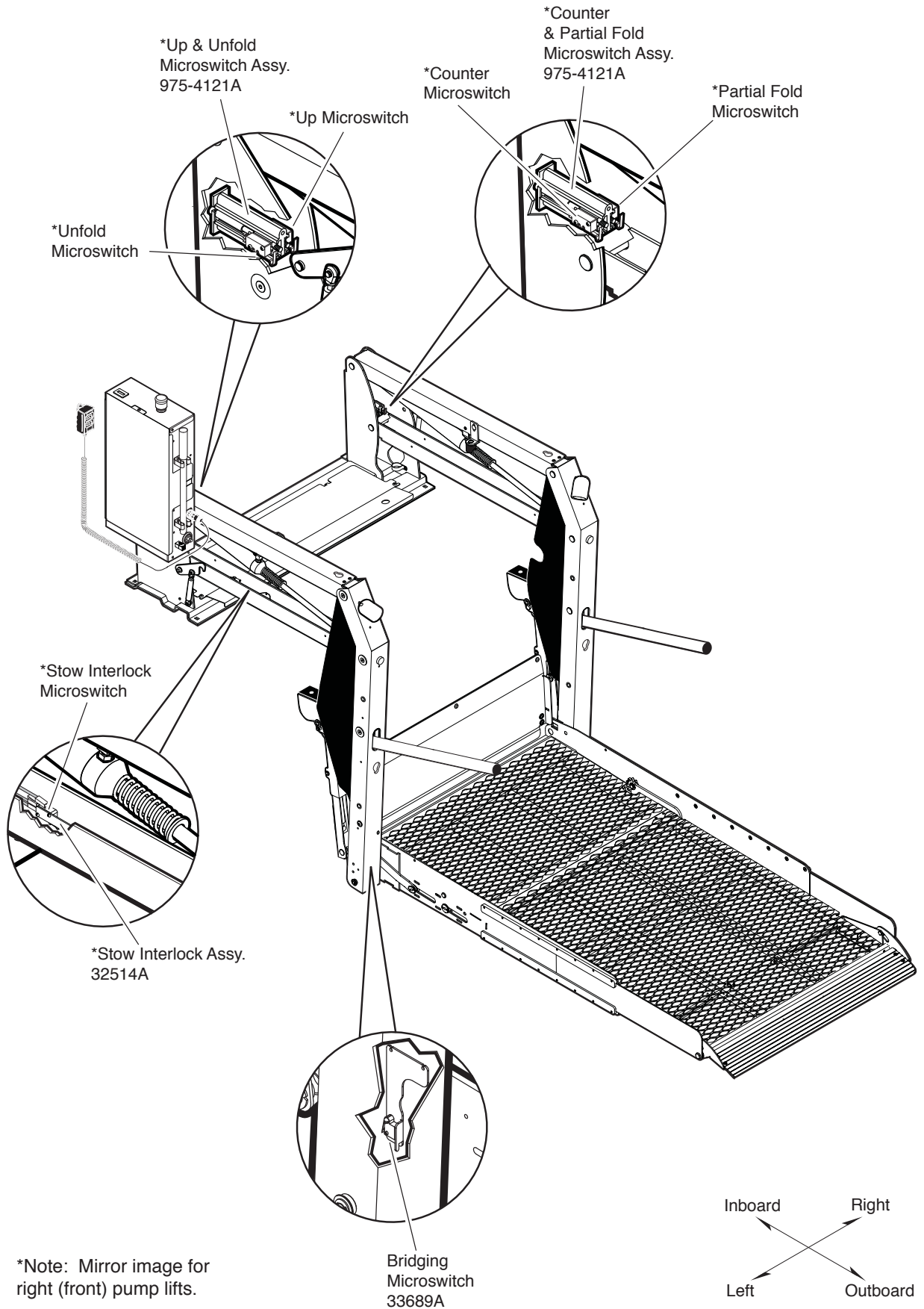
Notice: X must be measured from opposite pump side as shown.

Lift Model	X (cm)	Y (cm)	Z (cm)
CL918IBXT3456RP-2	62.80	41.45	23.32
CL918IBXT3460RP-2	62.80	42.15	23.32
CL995IBXT2752-2	63.63	51.03	21.30
CL995IBXT3052-2	64.20	51.03	21.30

Lift Terminology



Switch and Sensor Locations



Platform Fold Pressure Adjustment



1. See Tower 4 (Fold) Switch Adjustment in the Tower Microswitch Adjustment section for proper microswitch setting before adjusting the platform fold pressure.
2. Position the platform at the floor level loading position.
3. Loosen the hex nut on the adjustment screw (do not remove hex nut).
4. Turn the adjustment screw counter clockwise until the platform does not fold when the Fold button is pressed.
5. Turn the adjustment screw clockwise in 1/4 turn increments and press the Fold button until the platform folds completely. Note: Return the platform to floor level position after each attempt to fold the platform.
6. Turn the adjustment screw an additional 1/8 turn after the platform folds successfully.
7. Tighten the hex nut without moving the adjustment screw.
8. Verify the platform will not stow while occupied.

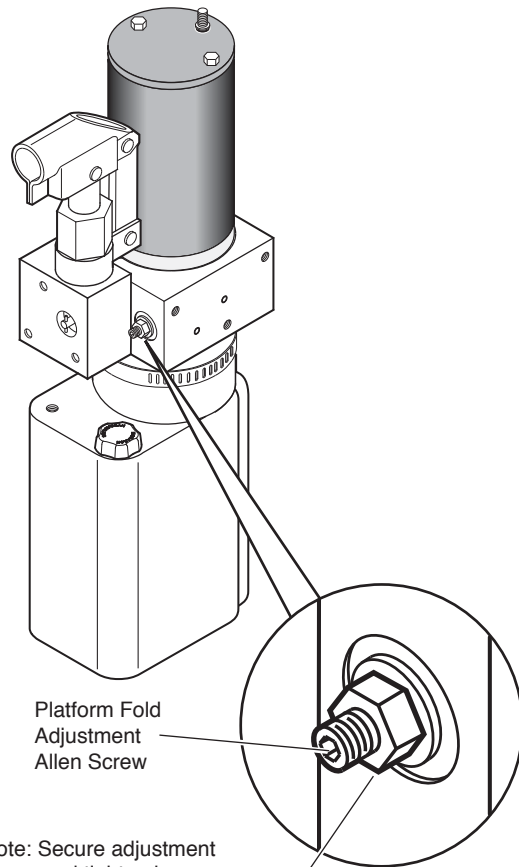
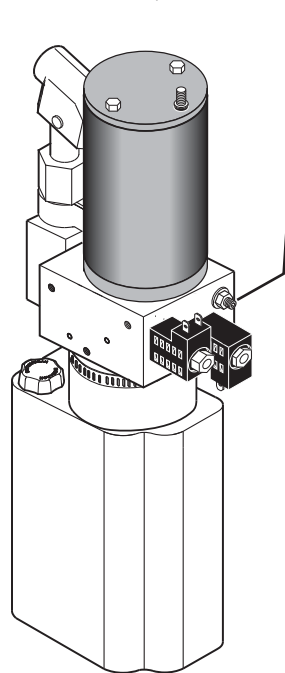


Figure A

DO NOT adjust this valve!
(Located beside Solenoid Valves)

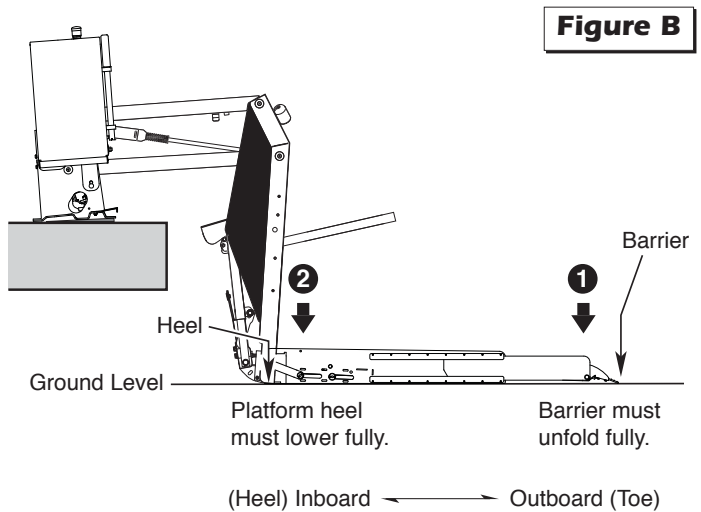


Platform Angle Adjustment



Lowering Sequence Requirements

1. The outboard end (toe) of the platform must contact the ground first to ensure the spring-loaded outer barrier unfolds fully. See Figure B.
2. The inboard end (heel) of the platform must lower fully (vertical arms must contact ground when fully lowered). See Figure B.

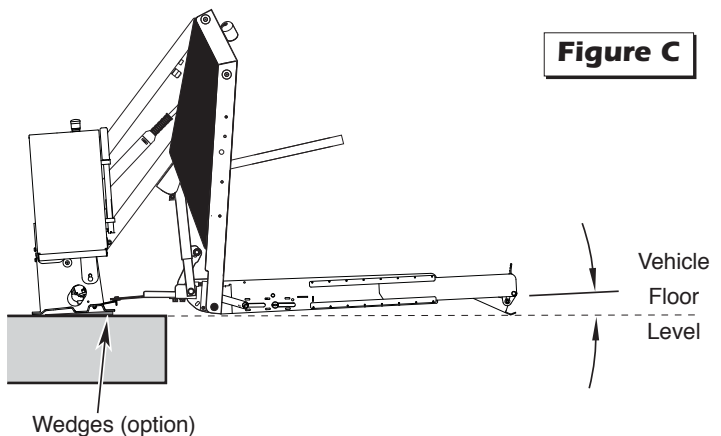


The angle of the platform at ground level directly affects the angle of the platform when positioned at floor level.

Raise the platform to floor level. Note the angle of the platform.

The platform at floor level should have a slight upward angle as shown in Figure C.

Adjust platform angle as detailed below.



Adjustment Procedure:

Platform angle adjustment Allen screws are provided on each side of the platform (see photo at right).

Turn adjustment screws clockwise to raise the outboard end of the platform. Turn adjustment screws counterclockwise to lower the outboard end of the platform.

Both adjustment screws must be adjusted equally.

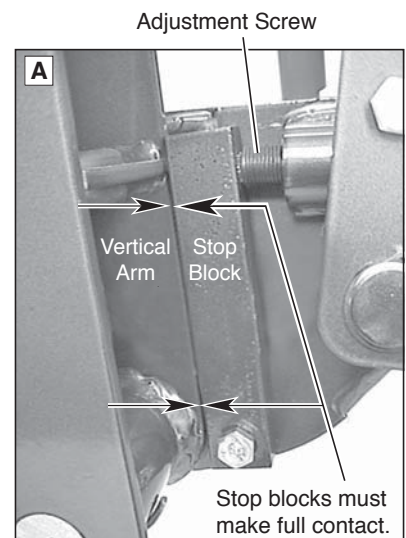
Platform Stop Blocks:
When adjusting platform

angle, ensure both stop blocks are making full contact with the vertical arms (see photo at right).

Floor Level Adjustment:

Following platform angle adjustment, set platform floor level positioning as detailed in Tower Microswitch Adjustment.

Check platform angle again after performing Tower Microswitch Adjustment procedures.



Tower Microswitch Adjustment



Figure D



Review adjustment procedures below and adjust as needed only.

Left (rear) pump lift depicted. Right (front) pump lift is a mirrored image.

Tower 1 (Unfold) Switch Adjustment

Floor Position from Stow

1. Position platform at the fully stowed position using the manual hand pump or pendant control.
2. Turn switch adjustment screw clockwise 3 full turns.
3. Press pendant UNFOLD switch (continue pressing switch until platform stops unfolding).
4. When platform stops unfolding, turn switch adjustment screw counterclockwise while pressing the pendant UNFOLD switch. Platform position will change. Repeat adjustment until criteria below is met.

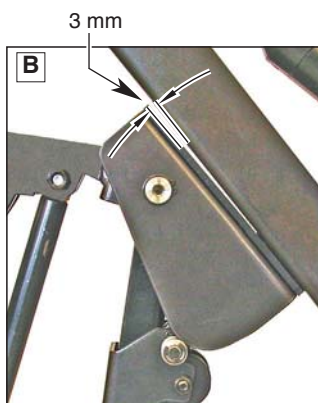
Proper Adjustment Criteria:

- Bridge plate should just rest on base plate cover. See Photo C.
- Should be an approximate 3 mm clearance between outboard end of rotating pivot slide arm saddle and the lower parallel arm. See Photo B.

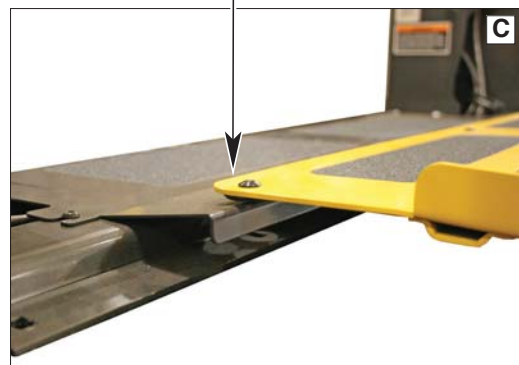
Tower 2 (Up) Switch Adjustment

Floor Position from Below Floor

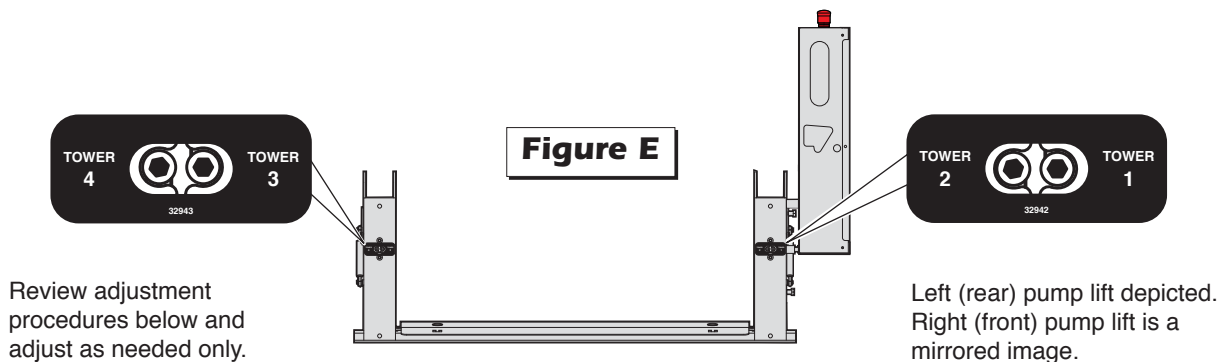
1. Lower platform a minimum of 15.25 cm below floor level position using the manual hand pump or pendant control.
2. Turn switch adjustment screw counterclockwise 3 full turns.
3. Press pendant UP switch (continue pressing switch until platform stops).
4. When platform stops, turn switch adjustment screw clockwise while pressing the pendant UP switch. Platform position will change. Adjust platform to meet criteria listed for Tower 1 Switch "Proper Adjustment Criteria".



Bridge plate should rest on base plate cover.



Tower Microswitch Adjustment

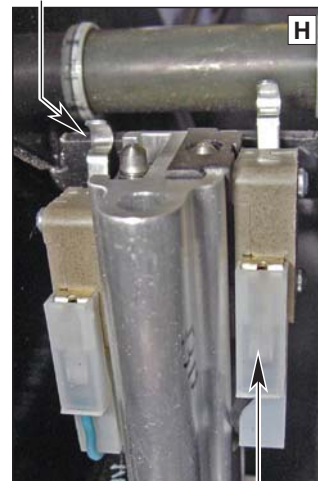


Tower 3 (Count) Switch Adjustment

Cycle Counter Switch

1. Position platform approximately 25 mm below floor level position using the pendant control.
2. View the Tower 3 microswitch inside the lift tower (see Photo H). Turn switch adjustment screw counterclockwise until microswitch no longer contacts the activation plate.
3. Observe the cycle count number on the LCD display. Slowly turn switch adjustment screw clockwise until the microswitch activates (clicks) and the number on the cycle counter LCD has changed.

Radius of Tower 4 microswitch blade activated by apex of activation plate.



Tower 3 Microswitch

Tower 4 (Fold) Switch Adjustment

Partial Fold

1. Position platform at 45° angle using the manual hand pump or pendant control.
2. View the Tower 4 microswitch inside the lift tower (see Photo H). Turn the switch adjustment screw in or out as needed until the radius of the microswitch blade rides on the apex of the activation plate.
3. Verify proper adjustment. Criteria below must be met.

Platform Angle Adjustment: Check platform angle after Tower Microswitch Adjustment procedures.

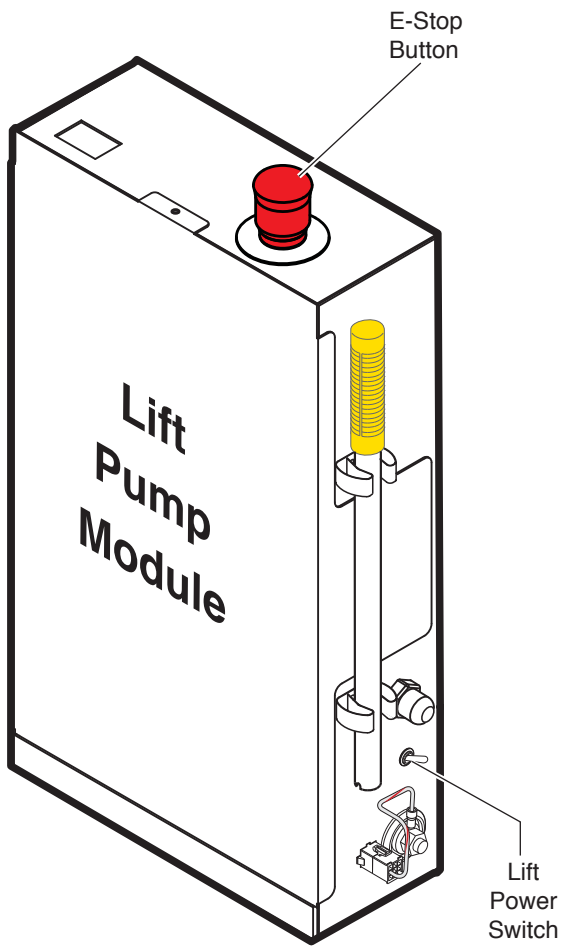
Platform Stop Blocks: Ensure both stop blocks are making full contact with the vertical arms.

Proper Adjustment Criteria:

- Apply pressure (push down) on outboard end of platform by pressing the hand pendant FOLD switch. The platform should not fold (stow) with light pressure applied.
- When folding fully, the platform should stow tightly (snug with stow blocks).



Emergency Stop (E-Stop) Operating Instructions



To Activate E-Stop:

Push E-Stop button down.

To Reset E-Stop:

1. Turn lift power OFF.
2. Pull E-Stop button up.
3. Turn lift power ON.

Static and Dynamic Tests

Compatibility between the lift and the vehicle

The installer shall confirm the compatibility between the lift and the vehicle.

Static Test

Deformation

The unladen platform is positioned mid-way between ground level and vehicle floor level and measurements are taken of the height of the platform and its angular attitude relative to the vehicle floor.

A load of "B" kg (see table on following page) is applied to the platform and subsequently removed.

By repeating measurements of the height and attitude of the platform, verify that no permanent deformation has occurred in any part of the lift or its attachment to the vehicle which could affect the function of the lift.

Drift

A load of "B" kg (see table on following page) is applied to the platform, positioned at floor level. Measurements are taken of the height of the platform and its angular attitude relative to the vehicle floor. These measurements are repeated after a 15 minute test period.

Verify that the vertical drift of the platform between the two measurements has not exceeded 15mm.

Verify that the angular drift of the platform between the two measurements has not exceeded 2°.

Test to Verify that the Lift Cannot Lift Excessive Load

A load of "B" kg is applied to the platform, positioned at ground level. Actuate the UP control and verify that the platform does not lift (tilt is permissible).

1. Lower platform to the ground.
2. Place "B" kg (see table on following page) at center of platform.
3. Press UP switch and verify platform does not lift (tilt is permissible).
4. If platform does not lift, proceed to Dynamic Test. If platform does lift, proceed to step 5, pump relief valve adjustment is necessary.
5. Access relief valve (see illustration on following page). Loosen 9/16" hex nut on the relief valve adjustment screw (do not remove hex nut).
6. Turn adjustment screw counterclockwise 1/8 turn.
7. Press UP switch and verify platform does not lift (tilt is permissible).
8. If platform does not lift, tighten 9/16" hex nut (do not turn relief valve adjustment screw while tightening hex nut). If platform does lift, repeat steps 6 through 8.

Static and Dynamic Tests

Dynamic Test

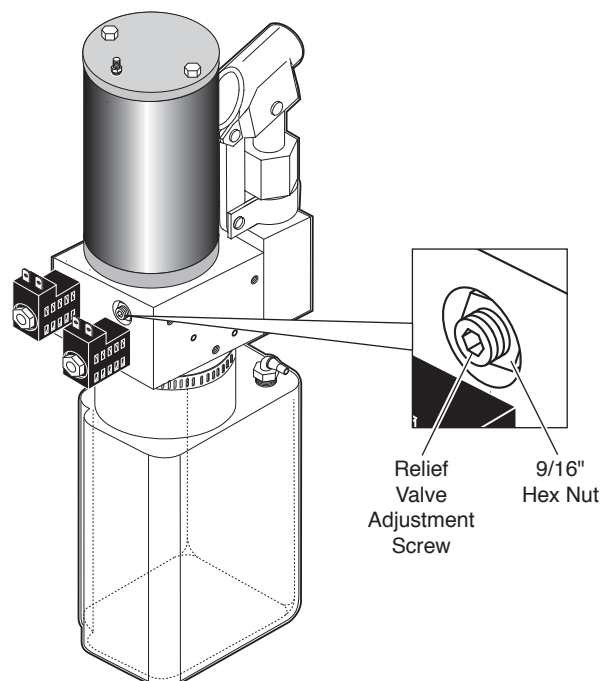
With "A" kg (see table below) applied to the platform, verify that the lift is able to operate throughout its full range of normal lifting and lowering.

1. Lower platform to the ground.
2. Place "A" kg (see table below) at center of platform.
3. Press UP switch and verify that the lift is able to operate throughout its full range of normal lifting and lowering movements.
4. If platform is able to operate throughout its full range of normal lifting and lowering movements, no adjustment is necessary. If platform does not lift, proceed to step 5, pump relief valve adjustment is necessary.
5. Access relief valve (see illustration below). Loosen 9/16" hex nut on the relief valve adjustment screw (do not remove hex nut).
6. Turn adjustment screw clockwise 1/8 turn.
7. Press UP switch and verify lift is able to operate throughout its full range of normal lifting and lowering movement.
8. If lift does not operate throughout its full range, repeat steps 6 through 8. If lift does operate throughout its full range, tighten 9/16" hex nut (do not turn relief valve adjustment screw while tightening hex nut).

Test of Operations and Safety Functions

All functions of the lift and operations of all safety devices are verified after the static and dynamic tests have been completed. These tests do not apply to pipe break valves nor non-resettable safety devices such as electrical fuses (These items are the subject of a manufacturer's type test).

	Lift With 272kg (600 lb.) Load Rating	Lift With 363kg (800 lb.) Load Rating
A	272	363
B	340	454



NOTES

This page intentionally left blank.

Maintenance and Lubrication



Proper maintenance is necessary to ensure safe, trouble-free lift operation. Inspecting the lift for any wear, damage or other abnormal conditions should be a part of the transit agency daily service program. Simple inspections can detect potential problems.

Park vehicle on a level surface clear of traffic and bystanders. Place vehicle transmission in “Park” and engage parking brake. Deploy lift to ground level. Provide adequate work space around fully-deployed lift. Perform specified maintenance and lubrication procedures (position lift as required).

Pump Module: When cleaning the exterior of the pump module, first disconnect the unit from its power source. Do not use liquid cleaners, aerosols, abrasive pads, scouring powders or solvents, such as benzine or alcohol. Use a soft cloth lightly moistened with a mild detergent solution. Ensure the surface cleaned is fully dry before reconnecting power.

Other Components: Clean components and the surrounding area before applying lubricants. Clean only with mild detergent and water. Do not clean with solvents. Allow the lift to dry thoroughly and apply lubricants as specified after every cleaning.

LPS2 General Purpose Penetrating Oil is recommended where Light Oil is called out. Use of improper lubricants can attract dirt or other con-

taminants which could result in wear or damage to components. Platform components exposed to contaminants when lowered to the ground may require extra attention.

Perform maintenance and lubrication procedures at the scheduled intervals according to the number of cycles. When servicing the lift at the recommended intervals, inspection and lubrication procedures specified in the previous sections should be repeated.

These intervals are a general guideline for scheduling maintenance procedures and will vary according to lift use and conditions. Lifts exposed to severe conditions (weather, environment, contamination, heavy usage, etc.) may require inspection and maintenance procedures to be performed more often than specified. Records of maintenance and service procedures should be maintained.

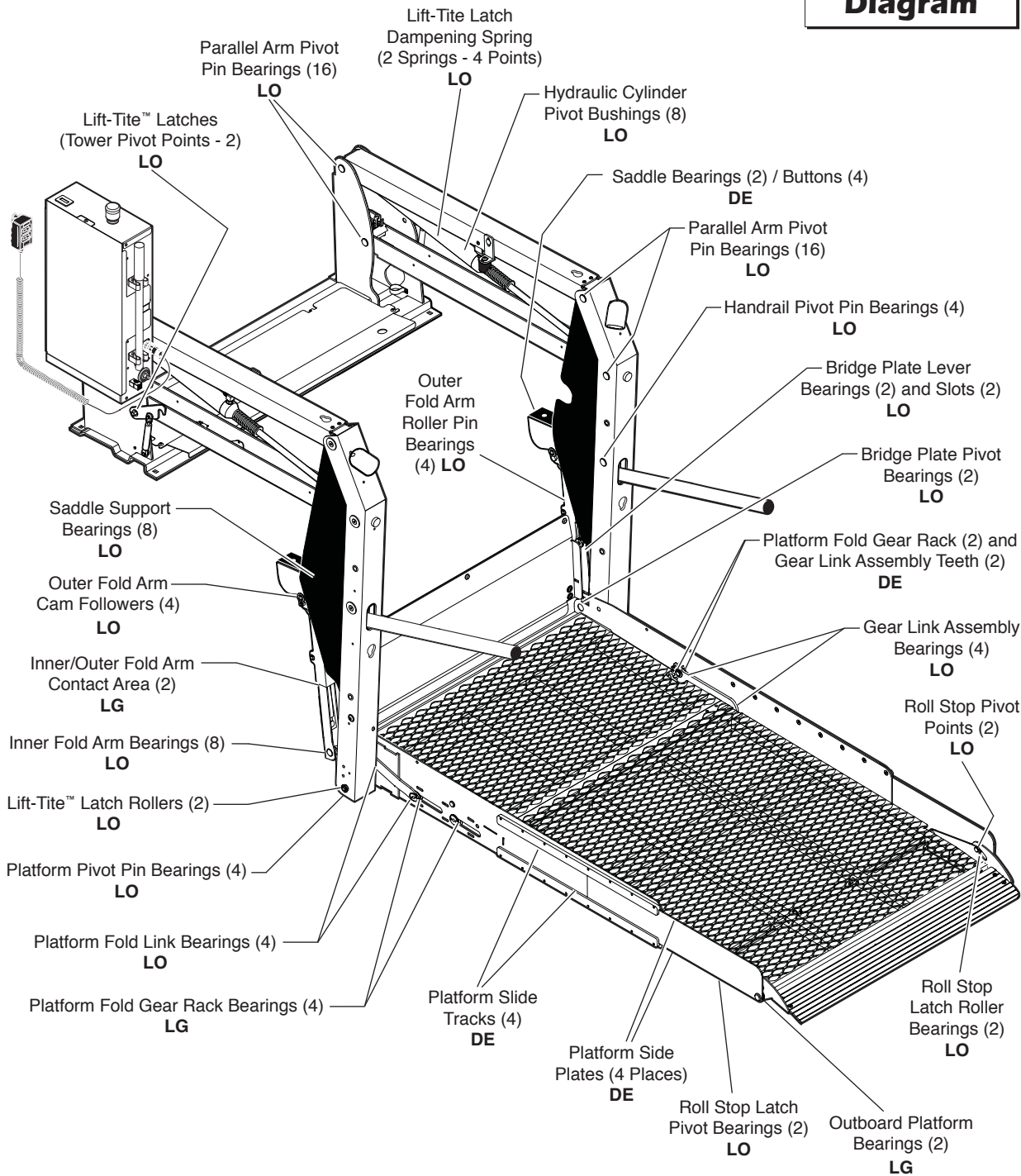
Discontinue lift use if maintenance and lubrication procedures are not properly performed, or if there is any sign of wear, damage or improper operation. Contact your authorized representative.

⚠ WARNING

Maintenance and lubrication procedures must be performed as specified by an authorized service technician. Failure to do so may result in serious bodily injury and/or property damage.

Maintenance and Lubrication

Lubrication Diagram



See the Maintenance/Lubrication Schedule for recommended applications per number of cycles.

Lubricant	Type	Specified (recommended) Lubricant	Available Amount	Braun Part No.
LO - Light Oil	Light Penetrating Oil (30 weight or equivalent)	LPS2, General Purpose Penetrating Oil	16 oz. Aerosol Can	15807
DE - Door-Ease	Stainless Stick Style (tube)	Door-Ease Stick (tube)	1.68 oz.	15806
LG - Light Grease	Light Grease (Multipurpose)	Lubriplate	14 oz. Can	15805

Maintenance and Lubrication Schedule

750 Cycles	Roll stop pivot points (2)	Apply Light Oil - See Lubrication Diagram
	Roll stop latch pivot bearings (2)	Apply Light Oil - See Lubrication Diagram
	Roll stop latch roller bearings (2)	Apply Light Oil - See Lubrication Diagram
	Gear link assembly bearings (4)	Apply Light Oil - See Lubrication Diagram
	Gear link assembly teeth (2)	Apply Door Ease - See Lubrication Diagram
	Outboard platform bearings (2)	Apply Light Grease - See Lubrication Diagram
	Platform fold link bearings (4)	Apply Light Oil - See Lubrication Diagram
	Platform fold gear rack bearings (4)	Apply Light Grease - See Lubrication Diagram
	Platform fold gear rack teeth (2)	Apply Door Ease - See Lubrication Diagram
	Lift-Tite™ latches (tower pivot points - 2)	Apply Light Oil - See Lubrication Diagram
	Lift-Tite™ latch gas (dampening) spring pivot points (2 springs - 4 points)	Apply Light Oil - See Lubrication Diagram
	Inspect Lift-Tite™ latches and gas (dampening) springs for wear or damage (bent, deformed or misaligned), positive securement (lock nuts / external snap rings) and proper operation	Resecure, replace damaged parts or otherwise correct as needed. Apply Light Grease to Lift-Tite™ latch tower pivot point if replacing latch.
	Inspect roll stop for proper operation	Correct or replace damaged parts.
	Inspect roll stop latch for proper operation, positive securement, and detached or missing spring(s)	Correct or replace damaged parts and/or relubricate. See Lubrication Diagram
Adjust fold pressure	See Platform Fold Pressure Adjustment Instructions.	
Platform slide tracks	Extend outer platform and use compressed air to remove any debris in the platform slide plate tracks	
Outer platform side plates (4 places) and platform slide tracks (2)	Apply Door Ease to top and bottom edges of outer platform side plates and inside edges of platform slide tracks. See Lubrication Diagram	

Maintenance and Lubrication Schedule

750 Cycles	Inspect lift for wear, damage or any abnormal condition	Correct as needed.
	Inspect lift for rattles	Correct as needed.
1500 Cycles	Inner/outer fold arms (2)	Apply grease (synthetic) to contact areas between inner/outer fold arms. See Lubrication Diagram
	Platform pivot pin bearings (4)	Apply Light Oil - See Lubrication Diagram
	Inner fold arm bearings (8)	Apply Light Oil - See Lubrication Diagram
	Bridge plate pivot bearings (2)	Apply Light Oil - See Lubrication Diagram
	Bridge plate lever bearings (2)	Apply Light Oil - See Lubrication Diagram
	Bridge plate lever slot (2)	Apply Light Oil - See Lubrication Diagram
	Saddle support bearings (8)	Apply Light Oil - See Lubrication Diagram
	Outer fold arm roller pin bearings (4)	Apply Light Oil - See Lubrication Diagram
	Outer fold arm cam followers (4)	Apply Light Oil - See Lubrication Diagram
	Parallel arm pivot pin bearings (16)	Apply Light Oil - See Lubrication Diagram
	Handrail pivot pin bearings (4)	Apply Light Oil - See Lubrication Diagram
	Hydraulic cylinder pivot bushings (8)	Apply Light Oil - See Lubrication Diagram
	Inspect Lift-Tite™ latch rollers for wear or damage, positive securement and proper operation (2)	Correct, replace damaged parts and/or relubricate. See Lubrication Diagram.
	Inspect bridge plate for: <ul style="list-style-type: none"> • Wear or damage • Proper operation. Roll stop should just rest on top surface of the base plate cover. • Positive securement (both ends) 	Resecure, replace or correct as needed. See Platform Angle Adjustment Instructions and Tower Microswitch Adjustment Instructions.

Maintenance and Lubrication Schedule

1500 Cycles	<p>Inspect handrail components for wear or damage, and for proper operation</p> <p>Inspect microswitches for securement and proper adjustment.</p> <p>Make sure lift operates smoothly</p> <p>Inspect bridge plate locks (2) and torsion springs (2) for wear or damage and for proper operation</p> <p>Inspect external snap rings:</p> <ul style="list-style-type: none"> • Inner fold arms (6) • Lift-Tite™ latch rollers (2) • Lift-Tite™ latch gas (dampening) springs (4) • Roll stop latch pivots (2) • Roll stop latch rollers (2) • Outer fold arm cam followers (4) • Outer fold arm roller pins (4) • Bridge plate lever bracket pins (2) <p>Inspect inner fold arm pins (2), axles (2) and bearings (8) for wear or damage and positive securement</p> <p>Remove pump module cover and inspect:</p> <ul style="list-style-type: none"> • Hydraulic hoses, fittings and connections for wear or leaks • Harness cables, wires, terminals and connections for securement or damage • Relays, fuses, power switch and lights for securement or damage 	<p>Replace damaged parts.</p> <p>Resecure, replace or adjust as needed. See Tower Microswitch Adjustment Instructions.</p> <p>Realign towers and vertical arms. Lubricate or correct as needed.</p> <p>Replace damaged parts. Apply Light Oil to bridge plate lock pivot point.</p> <p>Resecure or replace if needed.</p> <p>Replace damaged parts and resecure as needed. Apply Light Oil.</p> <p>Resecure, replace or correct as needed.</p>
4500 Cycles	<p>Inspect cotter pins on platform pivot pin (2)</p> <p>Hydraulic Fluid (Pump) - Check level. Note: Fluid should be changed if there is visible contamination. Inspect the hydraulic system (cylinder, hoses, fittings, seals, etc.) for leaks if fluid level is low.</p>	<p>Resecure, replace or correct as needed</p> <p>Use Braun 32840-QT hydraulic fluid (Exxon® Unavis HVI 26). Do not mix with Dextron III or other hydraulic fluids. Check fluid level with platform lowered fully. Fill to maximum fluid level indicated on reservoir (specified on decal). Do not overfill. If fluid level decal is not present - measure 35mm (1-3/8") from the fill port to locate fluid level.</p>

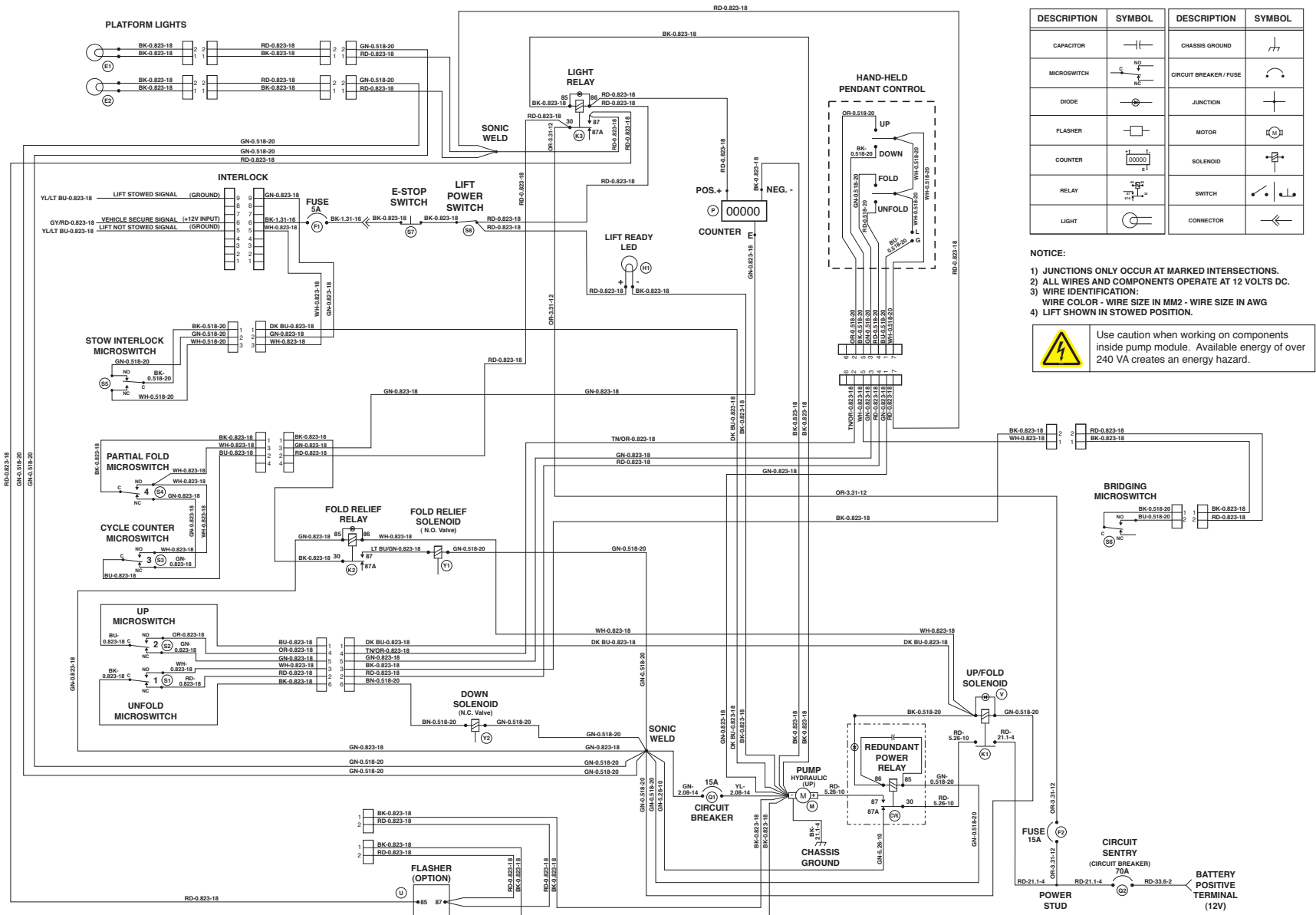
Maintenance and Lubrication Schedule

4500 Cycles	Inspect cylinders, fittings and hydraulic connections for wear, damage or leaks	Tighten, repair or replace if needed.
	Inspect parallel arms, bearings and pivot pins for visible wear or damage	Replace if needed.
	Inspect parallel arm pivot pin mounting bolts (8)	Tighten or replace if needed.
	Inspect platform pivot pins, bearings and vertical arms for wear, damage and positive securement	Replace damaged parts and lubricate if needed. Apply Light Grease during reassembly procedures.
	Inspect inner/outer fold arms, saddle, saddle support and associated pivot pins and bearings for visible wear or damage	Replace if needed.
	Inspect gas springs (cylinders -4) for wear or damage, proper operation and positive securement	Tighten, replace or correct as needed
	Inspect saddle bearings (2) / buttons (4)	Apply Door-Ease or replace if needed. See Lubrication Diagram.
	Inspect vertical arm plastic covers	Resecure or replace if needed.
	Inspect power cable	Resecure, repair or replace if needed.
Mounting	Check to see that the lift is securely anchored to the vehicle and there are no loose bolts, broken welds, or stress fractures.	
Decals and Antiskid	Replace decals if worn, missing or illegible. Replace antiskid if worn or missing. See Decals and Antiskid section in Owner's Manual.	

Consecutive 750 Cycle Intervals	Repeat all previously listed inspection, lubrication and maintenance procedures at 750 cycle intervals.
--	---

Lift Disposal Procedure	<ol style="list-style-type: none"> 1. Return lift to an authorized dealer for draining of the hydraulic system. 2. Transport lift to a recycling center for recycling.
--	--

Lift Electrical Schematic

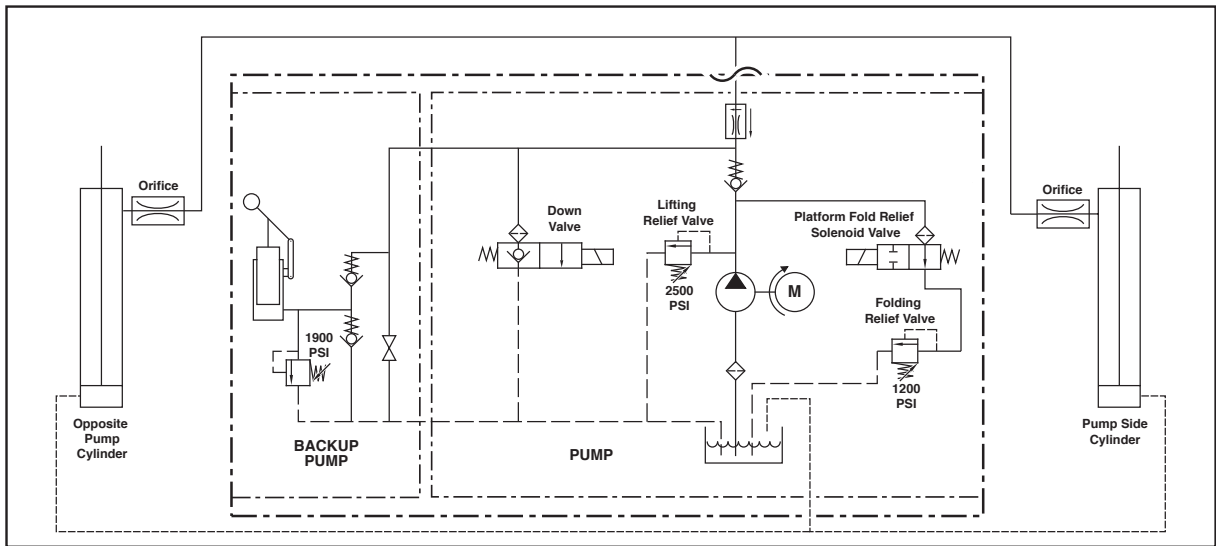


DESCRIPTION	SYMBOL	DESCRIPTION	SYMBOL
CAPACITOR		CHASSIS GROUND	
MICROSWITCH		CIRCUIT BREAKER / FUSE	
DIODE		JUNCTION	
FLASHER		MOTOR	
COUNTER		SOLENOID	
RELAY		SWITCH	
LIGHT		CONNECTOR	

- NOTICE:**
- 1) JUNCTIONS ONLY OCCUR AT MARKED INTERSECTIONS.
 - 2) ALL WIRES AND COMPONENTS OPERATE AT 12 VOLTS DC.
 - 3) WIRE IDENTIFICATION:
WIRE COLOR - WIRE SIZE IN MM² - WIRE SIZE IN AWG
 - 4) LIFT SHOWN IN STOWED POSITION.

Use caution when working on components inside pump module. Available energy of over 240 VA creates an energy hazard.

Hydraulic Schematic



Description	Symbol	Description	Symbol
Fixed Displacement Pump		Hydraulic Port	
Pump Motor		2 Way 2 Position Solenoid Valve	
Backup Pump		Pressure Compensated Flow Control	
Single Acting Cylinder		Relief Valve	
Check Valve		Filter Screen	
Unfold Orifice		Vented Reservoir	
Manual Shutoff Valve			

Hydraulics Parts List

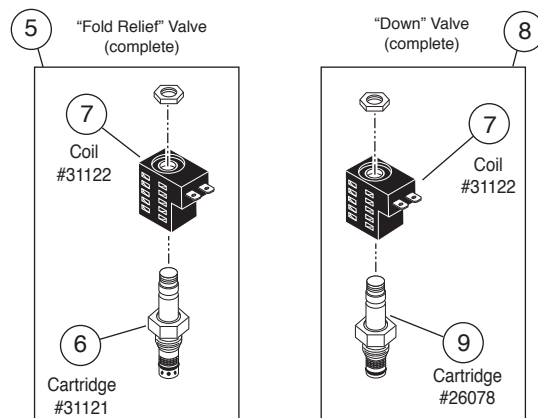
Item	Qty.	Description	Part #
1	1	Pump Assembly (M-268-0116) 120G / 12V / Dual Relief	32858-12V
2	1	Clamp, Reservoir - H-48 (M259)	17069
3	1	Solenoid, 4-Post Trombetta - Angle	35310
4	1	Motor, Pump - 12 Volt - Low RPM	29690
5	1	Valve Assembly, "Fold Relief" (complete)	31120K
6	1	Cartridge (only), "Fold Relief" Valve - (shown below)	31121
7	2	Coil (only) - (shown below)	31122
8	1	Valve Assembly, "Down" (complete)	31348K
9	1	Cartridge (only), "Down" Valve - (shown below)	26078
10	1	Clamp, Hose - Solenoid Mounting	29663
11	1	Reservoir, Hydraulic Fluid	30160
12	1	Cap, Reservoir Filler - Screw On	30167
13	1	Fitting, 90° - 1/8" NPT x 1/8" Barb - Plastic	87563
14	1	Hand Pump (Backup) with O-Rings (Item 16)	26074
15	3	Screw, 1/4-20 x 2-1/4", Allen Head	26080
16	4	O-Ring (only), Hand Pump Mounting	17351
17	1	Diode Assembly, Up Solenoid	73906A
18	1	Hose, Thermal Plastic - Black, 1/8" I.D.	23742R*
19	1	Connector, Plastic "Y", 1/8" O.D.	18877
20	1	Fitting, Male 7-16-20 SAE O-Ring to Male 7/16-20 JIC 37°	24504
21	1	Elbow, 7/16-20 JIC 37 Female Swivel (1) - 7/16-20 JIC 37° Male (2)	26579
22		(CL918IBXT3456RP-2 & CL918IBXT3460RP-2)	
	1	Hose Assembly, 1/8" (Opposite-Pump-Side)	16004A-093.5
		(CL995IBXT2752-2 & CL995IBXT3052-2)	
	1	Hose Assembly, 1/8" (Opposite-Pump-Side)	16004A-078
23		(CL918IBXT3456RP-2 & CL918IBXT3460RP-2)	
	1	Hose Assembly, 1/8" (Pump-Side)	16004A-053.5
		(CL995IBXT2752-2 & CL995IBXT3052-2)	
	1	Hose Assembly, 1/8" (Pump-Side)	16004A-040
24	2	Cylinder ✓ (CL918IBXT3456RP-2 & CL918IBXT3460RP-2)	C1514.3-0407N
	2	Cylinder ✓ (CL995IBXT2752-2 & CL995IBXT3052-2)	C1512.8-0408LT
25	2	Elbow, 90°, 7/16-20 SAE O-Ring Male - 7/16-20 JIC 37° Male, Orifice	26667
26	2	Elbow, 90°, 1/4 NPT Male to 1/4" Barbed	15150
27	1	Handle with Grip	17206A
28	1	Kit, Hydraulic Port Service Cap	27049K

✓ **Seal Kits:** If repairing a cylinder, order Seal Kit #1500-0500P.

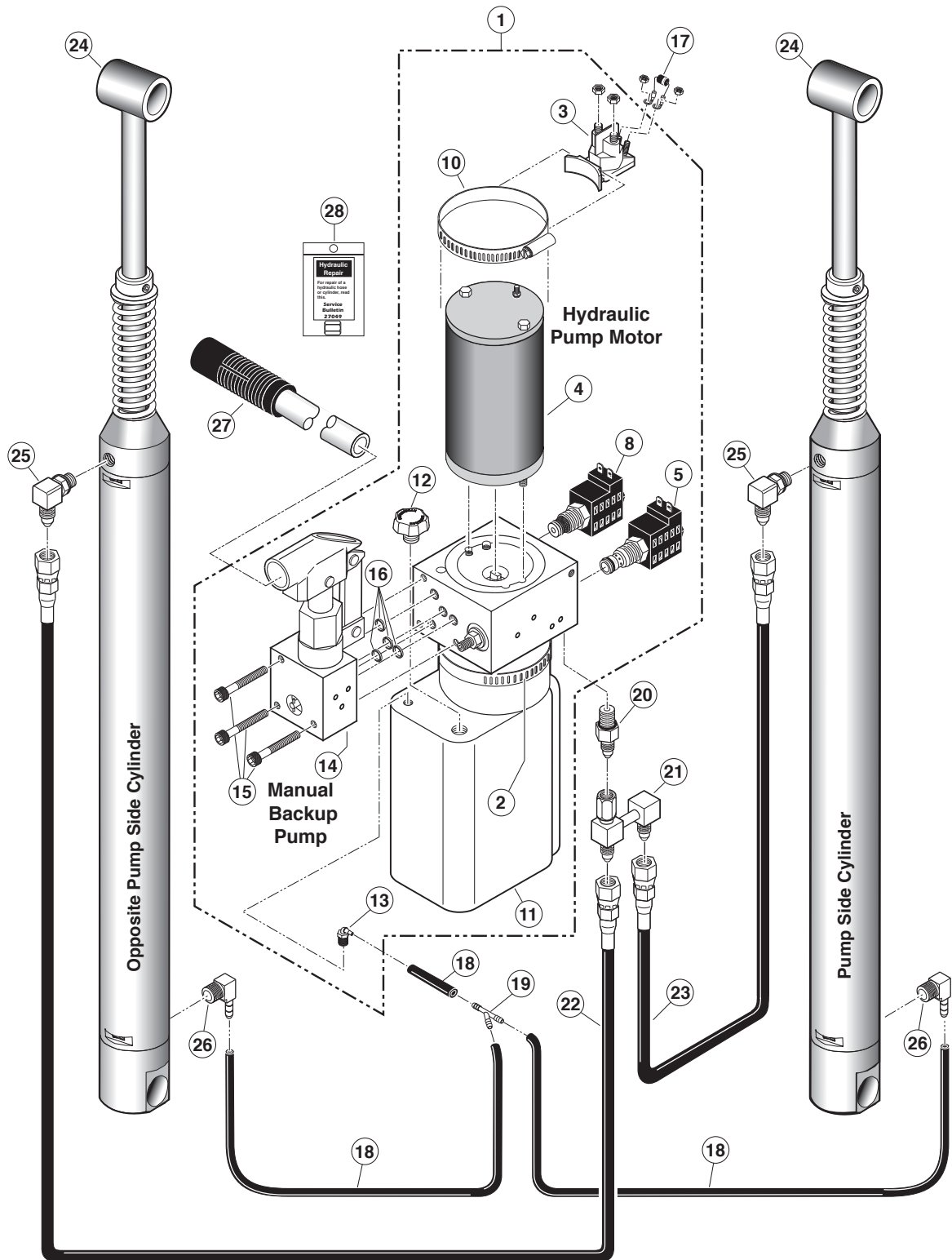
* Raw material items ordered and priced per inch (order specified length).

NOTICE

When adding or changing hydraulic fluid, use Braun 32840-QT (Exxon® Univis HVI 26) hydraulic fluid (do not mix with Dextron III or other hydraulic fluids).



Hydraulics Diagram



Use caution when working on components inside pump module. Available energy of over 240 VA creates an energy hazard.

NOTICE

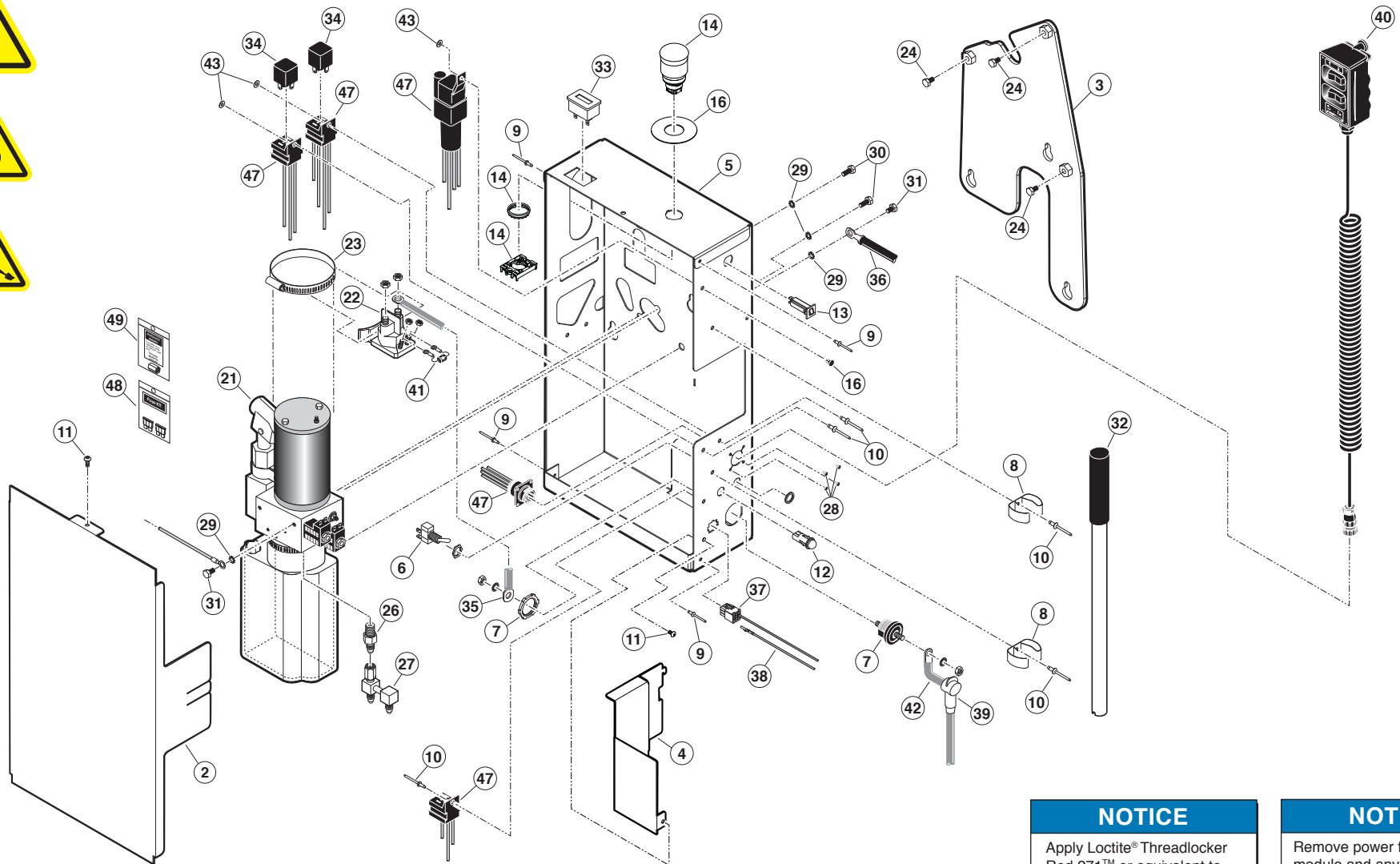
Remove power from pump module and any spark source before working with hydraulic fluid and components. Wear proper eye protection. Use protective gloves for prolonged contact with hydraulic fluid.

CL918 Pump Module Parts List

Item	Qty.	Description	Part No.
	1	Pump Module (complete) ✕	V917-0516RARP
1	1	Harness, Bridge Input ✕	35608RA
2	1	Cover, Pump Module	947-2519RN
3	1	Weldment, 7.5" RP Adapter Plate	33381RW
4	1	Guard, Splash	36377R
5	1	Housing, Pump	917-0513R
		Housing, Pump Assy (Items 5-14)	917-0513RA
6	1	Switch, Toggle w/ Gold Contacts	31787
7	1	Stud, Power Feed	26084
8	2	Clamp, Spring - Pump Handle	12350
9	4	Rivet, Pop, SD43BS - 1/8" - .13"/.19"	12954
10	5	Rivet, Pop, SD62BS - 3/16" - .06"/.13"	11512
11	2	Screw, #10-32 x 1/2", BHSC, Auto-Bk	30377
12	1	Diode, Green LED	29545
13	1	Circuit Breaker, Manual Reset - 15 Amperes	35143
14	1	E-Stop Button w/ Retaining Nut & Contact Block Mounting Adapter	36414-1
15	1	Hose, 1/8" Thermal Plastic ✕ (Raw material ordered and priced per inch - order specified length)	23742R
16	1	Rivet, Snap - Black .201" x .177/.217"	30408
17	1	Harness, Extension Lighting ✕	31033A61.5
18	1	Harness, Extension Lighting ✕	31033A103.5
19	1	Hose Assy, 1/8" (Opposite Pump Side) ✕	16004A-093.5
20	1	Hose Assy, 1/8" (Pump Side) ✕	16004A-053.5
21	1	Pump Assembly (M268-0116) 12V-120G - Dual Relief (Includes Items 22 & 23)	32858-12V
22	1	Solenoid, Up - 4-Post Trombetta - Angle	35310
23	1	Clamp, Hose - Solenoid Mounting	29663
24	3	Bolt, 3/8-16 x 1/2" w/Nylock Patch * See note below	29729
25	1	Connector, Plastic Y-1/8" O.D. ✕	18877
26	1	Fitting, Male 7/16-20 O-Ring to Male 7/16-20 JIC 37°	24504
27	1	Elbow, Manifold - Female Swivel 7/16-20 JIC 37° to (2) Male 7/16-20 JIC 37°	26579
28	4	Rivet, Snap, .122" Dia. - .158" - .197" Thick	25759
29	4	Washer, 5/16" External Tooth	16368
30	2	Bolt, 5/16-18 x 3/4", Nylock, Hex * See note below	29608
31	2	Bolt, 5/16-18 x 1/2", Nylock, Hex * See note below	10012
32	1	Pump Handle with Grip	17206A
33	1	Cycle Counter, LCD w/o Reset	30547
34	2	Relay, 30/40A SPDT 12V with Internal Diode	35249
35	1	Cable, Pump Module Power	26082A-4
36	1	Cable, Lift / Chassis Ground	22166A
37	1	Wire Assembly, Lift Interlock Connection	31797A
38	1	Wire Assembly, Lift Stowed Connection ♦	31798A
39	1	Rubber Boot, Red ♦	82046
40	1	Control, Hand Pendant Assembly - Non Electronic / Non Shielded - Coiled ♦	36509A
41	1	Diode Assembly, Up Solenoid	73906A
42	1	Harness, Lift Power ♦	33885A
43	3	Washer, #10 Flat	11541
44	1	Harness, Tower (Pump Side) ✕	37015A
45	1	Harness, Tower (Opposite Pump Side) ✕	37011A
46	1	Harness, Stow ✕	33377RARP
47	1	Harness, Main	V917-0500A
48	1	Fuse Kit, 5 Amperes (F1) & 15 Amperes (F2)	36521K
49	1	Kit, Hydraulic Port Service Cap	27049K
50	1	Hose, 1/8" Thermal Plastic ✕ (Raw material ordered and priced per inch - order specified length)	23742R

✕ Indicates items not shown.
 * Apply Loctite® Threadlocker Red 271™ or equivalent to the six hex bolts (items 24, 30 & 31) if a blue nylon patch is not present on the bolts when retrofitting an M268-0116 pump assembly.
 ♦ Indicates items available for replacement part purposes only. These items are not included with replacement pump modules.

CL918 Pump Module Diagram



Use caution when working on components inside pump module. Available energy of over 240 VA creates an energy hazard.

NOTICE
Apply Loctite® Threadlocker Red 271™ or equivalent to the six hex bolts (items 24, 30 & 31) if a blue nylon patch is not present on the bolts when retrofitting an M268 pump assembly.

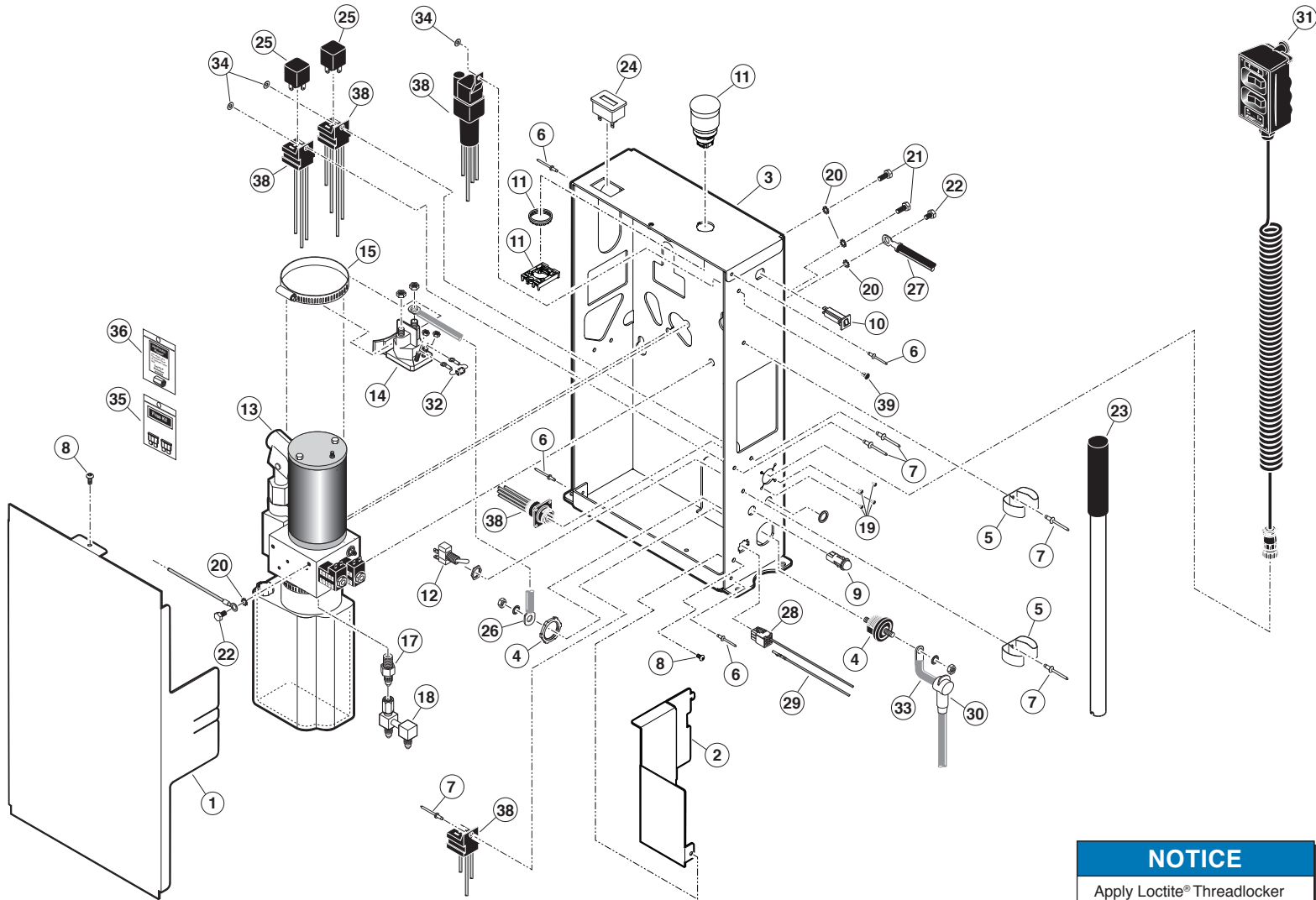
NOTICE
Remove power from pump module and any spark source before working with hydraulic fluid and components. Wear proper eye protection. Use protective gloves for prolonged contact with hydraulic fluid.

CL995 Pump Module Parts List

Item	Qty.	Description	Part No.
	1	Pump Module (complete) ✕	V995-0516RA
1	1	Cover, Pump Module	947-2519RN
2	1	Guard, Splash	36377R
3	1	Housing, Pump	991-0513RW
		Housing, Pump Assy (Items 3-12)	991-0513RA
4	1	Stud, Power Feed	26084
5	2	Clamp, Spring - Pump Handle	12350
6	4	Rivet, Pop, SD43BS - 1/8" - .13"/.19"	12954
7	5	Rivet, Pop, SD62BS - 3/16" - .06"/.13"	11512
8	2	Screw, #10-32 x 1/2", BHSC, Auto-Bk	30377
9	1	Diode, Green LED	29545
10	1	Circuit Breaker, Manual Reset - 15 Amperes	35143
11	1	E-Stop Button w/ Retaining Nut & Contact Block Mounting Adapter	36414-1
12	1	Switch, Toggle w/ Gold Contacts	31787
13	1	Pump Assembly (M268-0116) 12V-120G - Dual Relief (Includes Items 14 & 15)	32858-12V
14	1	Solenoid, Up - 4-Post Trombetta - Angle	35310
15	1	Clamp, Hose - Solenoid Mounting	29663
16	1	Hose, 1/8" Thermal Plastic ✕ (Raw material ordered and priced per inch - order specified length)	23742R
17	1	Fitting, Male 7/16-20 O-Ring to Male 7/16-20 JIC 37°	24504
18	1	Elbow, Manifold - Female Swivel 7/16-20 JIC 37° to (2) Male 7/16-20 JIC 37°	26579
19	4	Rivet, Snap, .122" Dia. - .158" - .197" Thick	25759
20	4	Washer, 5/16" External Tooth	16368
21	2	Bolt, 5/16-18 x 3/4", Nylock, Hex * See note below	29608
22	2	Bolt, 5/16-18 x 1/2", Nylock, Hex * See note below	10012
23	1	Pump Handle with Grip	17206A
24	1	Cycle Counter, LCD w/o Reset	30547
25	2	Relay, 30/40A SPDT 12V with Internal Diode	35249
26	1	Cable, Pump Module Power	26082A-4
27	1	Cable, Lift / Chassis Ground	22166A
28	1	Wire Assembly, Lift Interlock Connection	31797A
29	1	Wire Assembly, Lift Stowed Connection ♦	31798A
30	1	Rubber Boot, Red ♦	82046
31	1	Control, Hand Pendant Assembly - Non Electronic / Non Shielded - Coiled ♦	36509A
32	1	Diode Assembly, Up Solenoid	73906A
33	1	Harness, Lift Power ♦	33885A
34	3	Washer, #10 Flat	11541
35	1	Fuse Kit, 5 Amperes (F1) & 15 Amperes (F2)	36521K
36	1	Kit, Hydraulic Port Service Cap	27049K
37	1	Connector, Plastic Y-1/8" O.D. ✕	18877
38	1	Harness, Main	V917-0500A
39	1	Rivet, Snap - Black .201" x .217/.256"	30408
40	1	Harness, Bridge Input ✕	35608RA
41	1	Harness, Extension Lighting ✕	31033A45
42	1	Harness, Extension Lighting ✕	31033A84
43	1	Harness, Tower (Pump Side) ✕	37014A
44	1	Harness, Tower (Opposite Pump Side) ✕	37010A
45	1	Harness, Stow ✕	33377RA
46	1	Hose Assy, 1/8" (Opposite Pump Side) ✕	16004A-078
47	1	Hose Assy, 1/8" (Pump Side) ✕	16004A-040

- ✕ Indicates items not shown.
- ▲ Apply Loctite® Threadlocker Red 271™ or equivalent to the four hex bolts (items 21 & 22) if a blue nylon patch is not present on the bolts when retrofitting an M268-0118 pump assembly.
- ♦ Indicates items available for replacement part purposes only. These items are not included with replacement pump modules.

CL995 Pump Module Diagram



Use caution when working on components inside pump module. Available energy of over 240 VA creates an energy hazard.

NOTICE
Apply Loctite® Threadlocker Red 271™ or equivalent to the four hex bolts (items 21 & 22) if a blue nylon patch is not present on the bolts when retrofitting an M268 pump assembly.

NOTICE
Remove power from pump module and any spark source before working with hydraulic fluid and components. Wear proper eye protection. Use protective gloves for prolonged contact with hydraulic fluid.

Exploded Views and Parts Lists

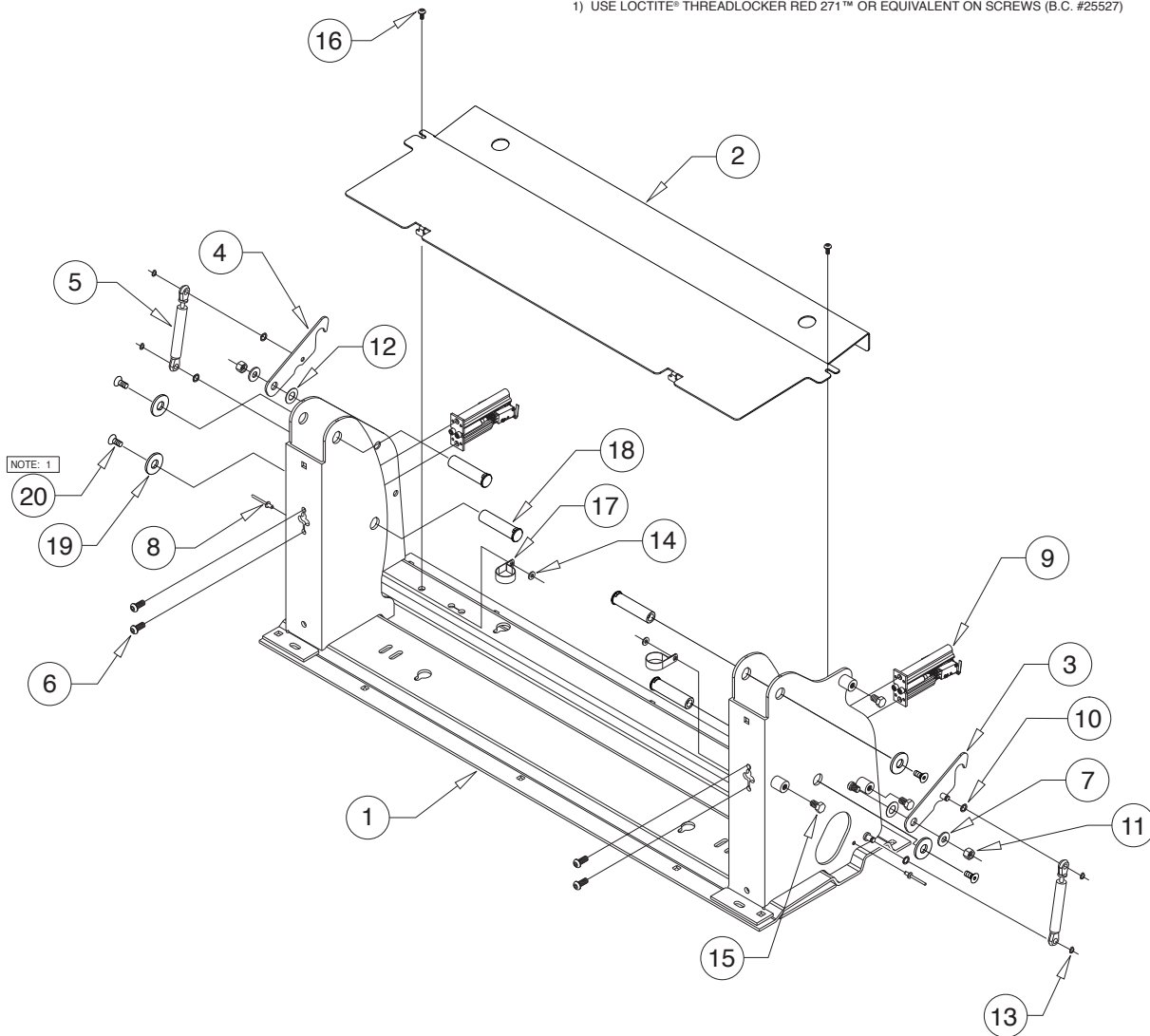
Base Plate Assembly

Applicable Lifts:

CL918IBXT3456RP-2
CL918IBXT3460RP-2

NOTICE

1) USE LOCTITE® THREADLOCKER RED 271™ OR EQUIVALENT ON SCREWS (B.C. #25527)



ITEM	QTY.	PART NO.	DESCRIPTION
20	4	25527	SCREW-5/16-18 X 3/4" FHS/AUTO-BK
19	4	25346	WASHER-1/2" FLAT/AUTO BK
18	4	936-0403	PIN-PIVOT PARALLEL ARM
17	2	29765	CLAMP-INSULATED-1 3/8"
16	2	15733	BOLT-1/4-20 X 1/2" BHSC/AUTO-BK
15	3	29729	BOLT-3/8-16 X 1/2" W/NYLOCK PATCH
14	2	11541	WASHER-#10 FLAT/AUTO-BK
13	4	24570	RING-5/16" EXT SNAP/ZINC PLATED
12	2	11913	WASHER-1/2" NYLON
11	2	28339BK	NUT-3/8-16 UNC TOP LOCK/AUTO-BK
10	4	26614	O-RING 5/16" ID X 1/16"
9	2	975-4121A	MICRO SWITCH ASSY
8	2	14993	RIV-POP-SD66BS-3/16"-.25/38"/AUTO-BK
7	2	10063	WASHER-5/16" FLAT
6	4	24440	BOLT-5/16-18 X 3/4"-BHSC/AUTO-BK
5	2	26963	SPRING-DAMP 5.67 E/4.291 C,P1=3.37N-RET
4	1	27208RW	WMT-LATCH-LIFT-TITE REAR-RETRO
3	1	27208FW	WMT-LATCH-LIFT-TITE FRONT-RETRO
2	1	918-2149-34	BASE COVER / -2 INTERNATIONAL - 34"
1	1	956-0142RNW34	WMT-BASE-REAR/42" FTG

Exploded Views and Parts Lists

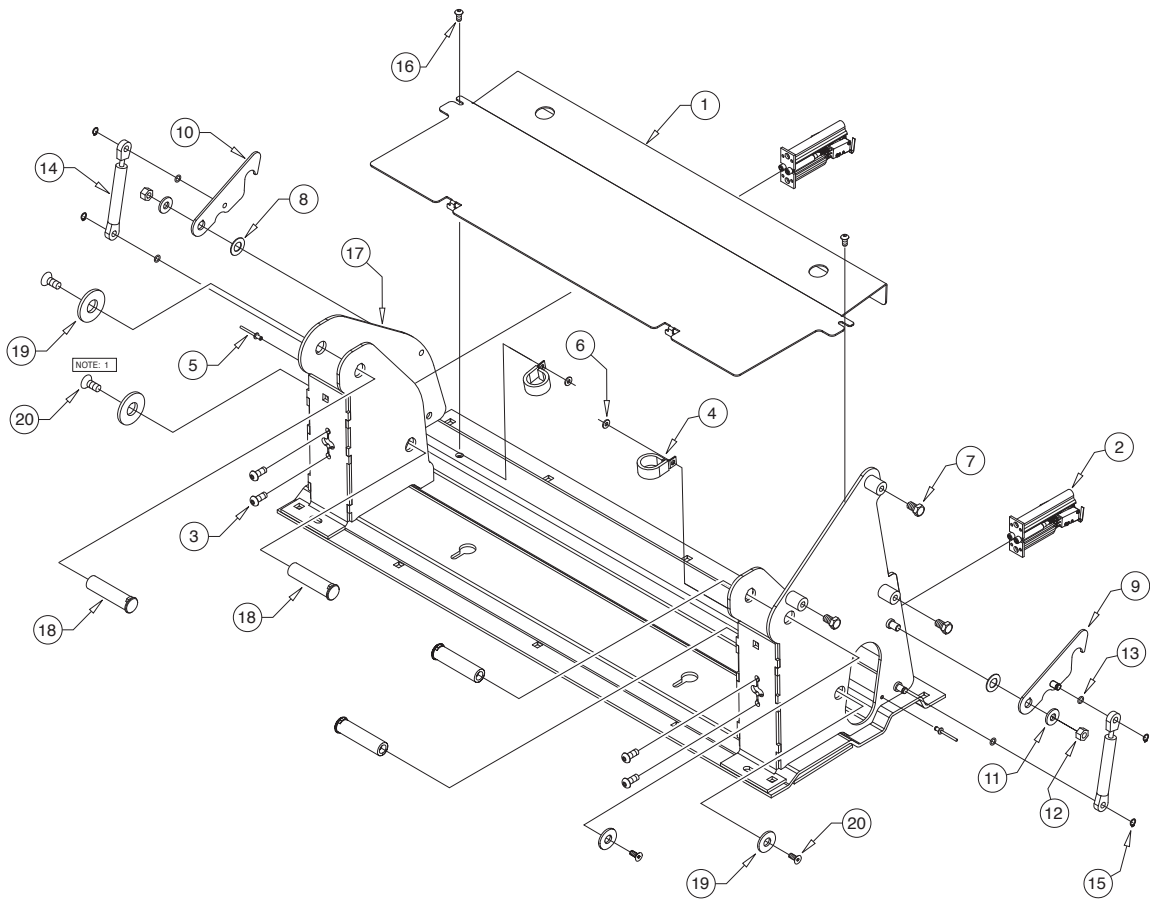
Base Plate Assembly

Applicable Lifts:

CL9951BXT2752-2

NOTICE

1) APPLY LOCTITE® THREADLOCKER RED 271™ OR EQUIVALENT TO ALL #25527 SCREWS.



ITEM	QTY.	PART NO.	DESCRIPTION
20	4	25527	SCREW-5/16-18 X 3/4" FHS/AUTO-BK
19	4	25346	WASHER-1/2" FLAT/AUTO-BK
18	4	936-0403	PIN-PIVOT PARALLEL
17	1	991-0142RW27	WMT-BASE-REAR-26/FTG
16	2	15733	BOLT-1/4-20 X 1/2 BUT HD SOC/AUTO-BK
15	4	24570	RING-5/16 EXT SNAP/ZINC PLATED
14	2	26963	SPRING-DAMP5.67 E/4.291 C,P1=3.37N-RET
13	4	26614	O-RING-5/16ID X 1/16
12	2	28339BK	NUT-3/8-16 UNC TOP LOCK/AUTO-BK
11	2	10063	WASHER-5/16 FLAT
10	1	27013RW	WMT-LATCH-LIFT-TITE REAR-RETRO
9	1	27013FW	WMT-LATCH-LIFT-TITE FRONT-RETRO
8	2	11913	WASHER-1/2" NYLON
7	3	29729	BOLT-3/8-16 X 1/2 W/NYLOCK PATCH
6	2	11541	WASHER-#10 FLAT/AUTO-BK
5	2	14993	RIV-POP-SD66BS-3/16"-25/38/AUTO-BK
4	2	29765	CLAMP-INSULATE 1 3/8"
3	4	24440	BOLT-5/16-18 X 3/4-BHSC/AUTO-BK
2	2	975-4121A	MICRO SWITCH ASSY.
1	1	917-2149-27	WMT-BASE-COVER-/2 INTERNATIONAL-27"

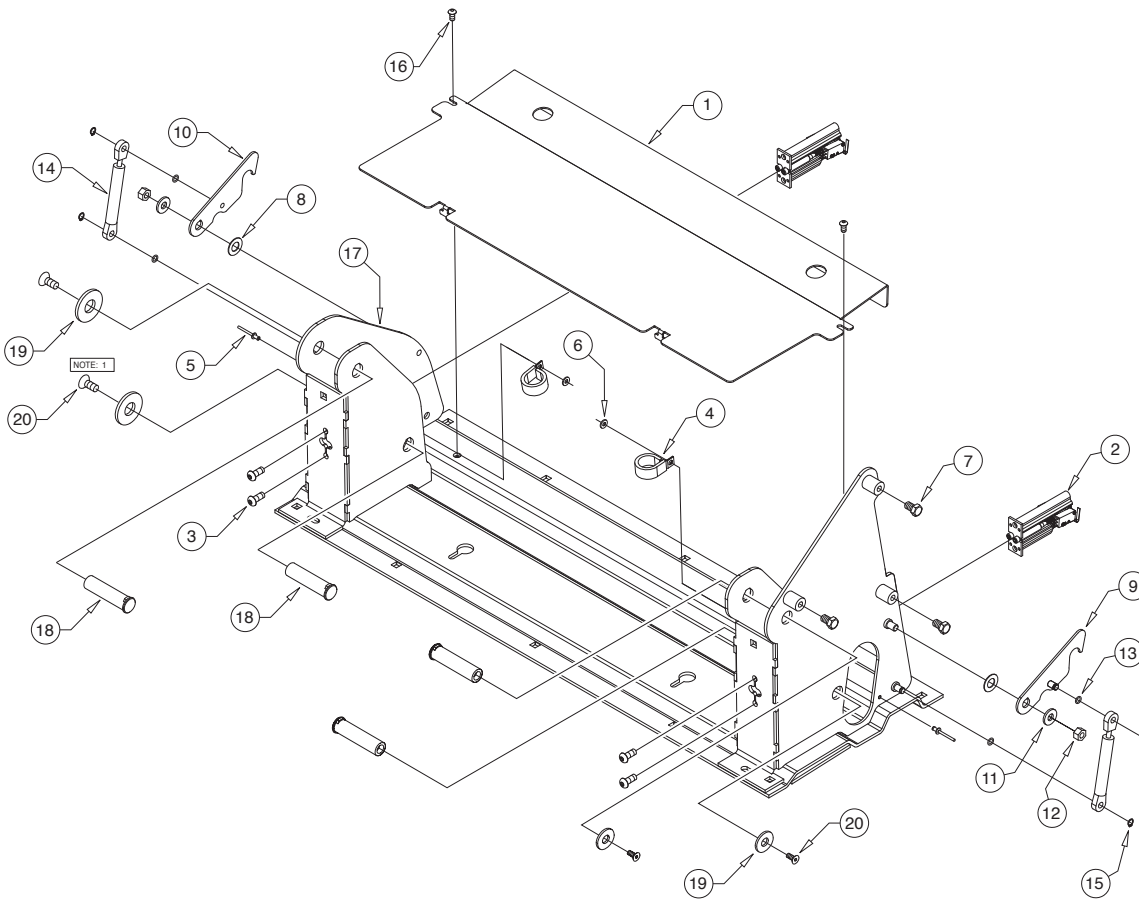
Exploded Views and Parts Lists

Base Plate Assembly

Applicable Lifts:
CL995IBXT3052-2

NOTICE

1) APPLY LOCTITE® THREADLOCKER RED 271™ OR EQUIVALENT TO ALL #25527 SCREWS.



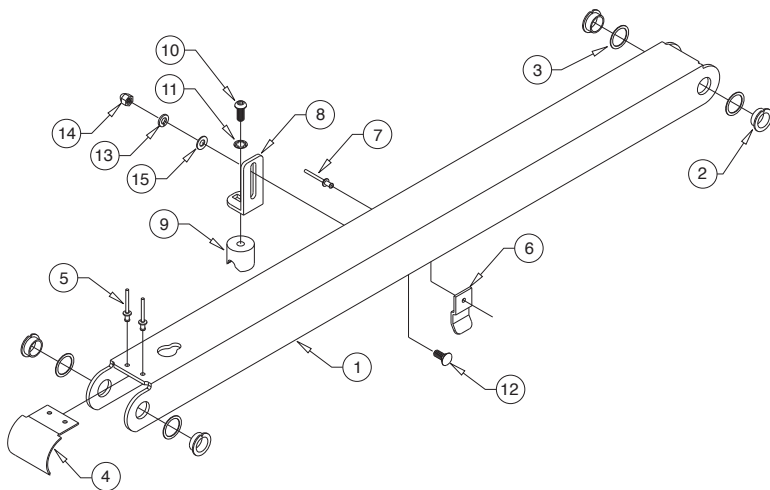
ITEM	QTY.	PART NO.	DESCRIPTION
20	4	25527	SCREW-5/16-18 X 3/4" FHS/AUTO-BK
19	4	25346	WASHER-1/2" FLAT/AUTO-BK
18	4	936-0403	PIN-PIVOT PARALLEL
17	1	991-0142RW30	WMT-BASE-REAR-26/FTG
16	2	15733	BOLT-1/4-20 X 1/2 BUT HD SOC/AUTO-BK
15	4	24570	RING-5/16 EXT SNAP/ZINC PLATED
14	2	26936	SPRING-DAMP5.67 E/4.291 C,P1=3.37N-RET
13	4	26614	O-RING-5/16ID X 1/16
12	2	28339BK	NUT-3/8-16 UNC TOP LOCK/AUTO-BK
11	2	10063	WASHER-5/16 FLAT
10	1	27013RW	WMT-LATCH-LIFT-TITE REAR-RETRO
9	1	27013FW	WMT-LATCH-LIFT-TITE FRONT-RETRO
8	2	11913	WASHER-1/2" NYLON
7	3	29729	BOLT-3/8-16 X 1/2 W/NYLOCK PATCH
6	2	11541	WASHER-#10 FLAT/AUTO-BK
5	2	14993	RIV-POP-SD66BS-3/16".25/38/AUTO-BK
4	2	29765	CLAMP-INSULATE 1 3/8"
3	4	24440	BOLT-5/16-18 X 3/4-BHSC/AUTO-BK
2	2	975-4121A	MICRO SWITCH ASSY.
1	1	917-2149-30	WMT-BASE-COVER/-2 INTERNATIONAL-30"

Exploded Views and Parts Lists

Top Parallel Arm Assembly - Front

Applicable Lifts:

CL918IBXT3456RP-2
CL918IBXT3460RP-2

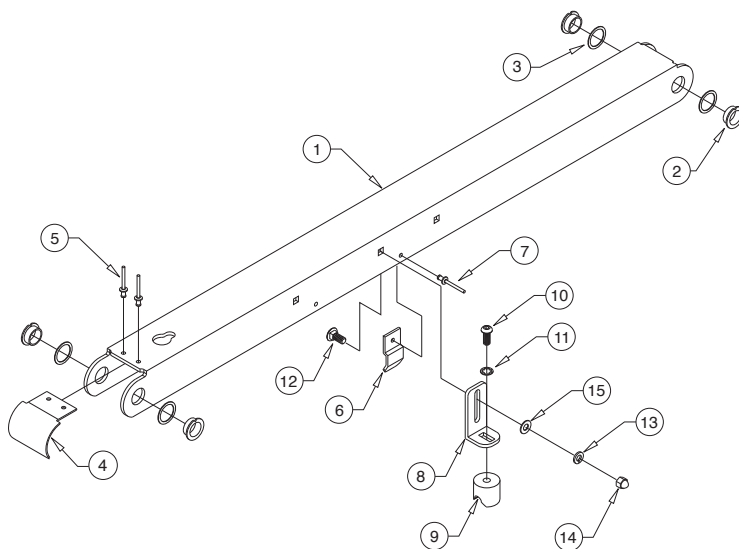


ITEM	QTY.	PART NO.	DESCRIPTION
15	1	10062	WASHER-1/4" FLAT/AUTO-BK
14	1	30996BK	NUT-5/16-18 ACORN
13	1	10068	WASHER-5/16" LOCK/AUTO-BK
12	1	15858BK	BOLT-CARR 5/16-18 X 3/4"/AUTO-BK
11	1	16368	WASHER-5/16" EXTERNAL TOOTH
10	1	24440	BOLT-5/16-18 X 3/4"-BHSC/AUTO-BK
9	1	28593A	ASSY-BLOCK-GUIDE-PLATFORM-STOW
8	1	955-2392CLXT	BKT-QUIET-RIDE MTG.-955
7	1	14993	RIV-POP-SD66BS-3/16".25"/.38"/AUTO-BK
6	1	915-0703	BRACKET-INNER SIDE PANEL GUIDE
5	2	11513	RIV-POP-SD64BS-3/16".13"/.25"/AUTO-BK
4	1	945-0450	CAP-PARALLEL ARM
3	4	34398	WASHER-0.906"ID X 1.25"OD X .075"TH/ZINC
2	4	24011	BEARING-FLANGE-3/4" X 3/8"-12FDU06
1	1	956-3419FNA	ARM-PARALLEL/TOP/42"-FRONT (Incl. Items 1-15)

Top Parallel Arm Assembly - Rear

Applicable Lifts:

CL918IBXT3456RP-2
CL918IBXT3460RP-2



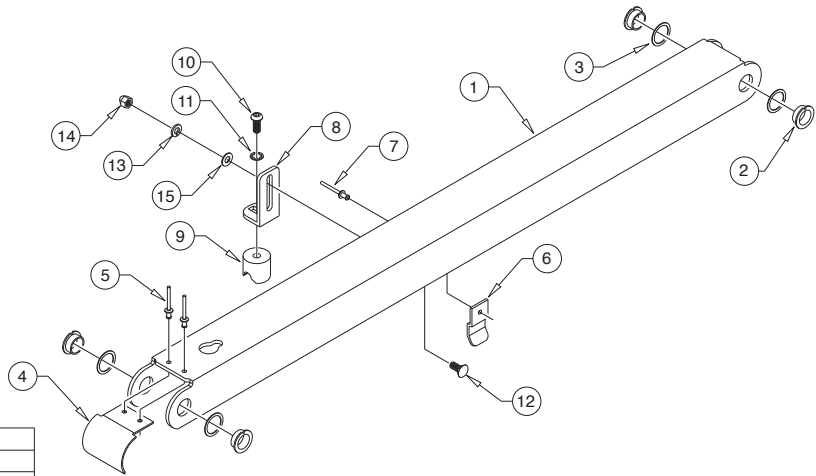
ITEM	QTY.	PART NO.	DESCRIPTION
15	1	10062	WASHER-1/4" FLAT/AUTO-BK
14	1	30996BK	NUT-5/16-18 ACORN
13	1	10068	WASHER-5/16" LOCK/AUTO-BK
12	1	15858BK	BOLT-CARR 5/16-18 X 3/4"/AUTO-BK
11	1	16368	WASHER-5/16" EXTERNAL TOOTH
10	1	24440	BOLT-5/16-18 X 3/4"-BHSC/AUTO-BK
9	1	28593A	ASSY-BLOCK-GUIDE-PLATFORM-STOW
8	1	955-2392CLXT	BKT-QUIET-RIDE MTG.-955
7	1	14993	RIV-POP-SD66BS-3/16".25"/.38"/AUTO-BK
6	1	915-0703	BRACKET-INNER SIDE PANEL GUIDE
5	2	11513	RIV-POP-SD64BS-3/16".13"/.25"/AUTO-BK
4	1	945-0450	CAP-PARALLEL ARM
3	4	34398	WASHER-0.906"ID X 1.25"OD X .075"TH/ZINC
2	4	24011	BEARING-FLANGE-3/4" X 3/8"-12FDU06
1	1	956-3419RNA	ARM-PARALLEL/TOP/42" REAR (Incl. Items 1-15)

Exploded Views and Parts Lists

Top Parallel Arm Assembly - Front

Applicable Lifts:

CL995IBXT2752-2
CL995IBXT3052-2

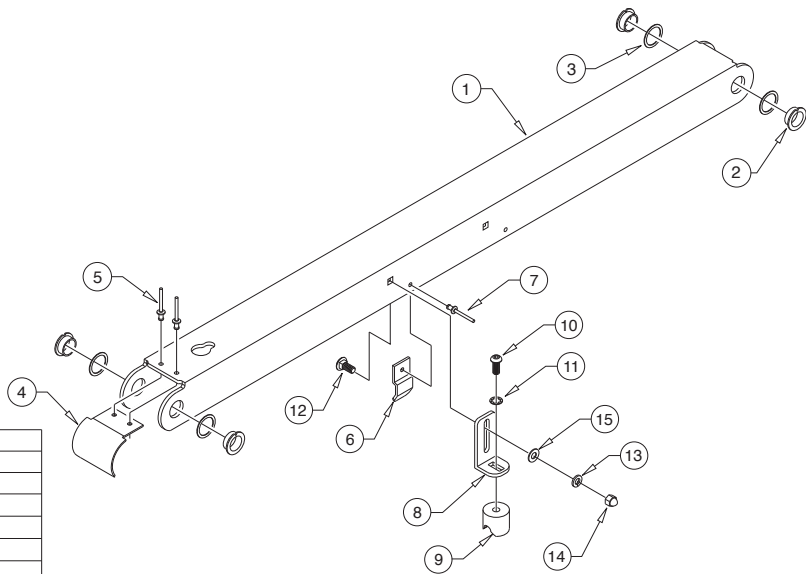


ITEM	QTY.	PART NO.	DESCRIPTION
15	1	10062	WASHER-1/4" FLAT/AUTO-BK
14	1	30996BK	NUT-5/16-18 ACORN
13	1	10068	WASHER-5/16" LOCK/AUTO-BK
12	1	15858BK	BOLT-CARR 5/16-18 X 3/4/AUTO-BK
11	1	16368	WASHER-5/16" EXTERNAL TOOTH
10	1	24440	BOLT-5/16-18 X 3/4-BHSC/AUTO-BK
9	1	28593A	ASSY-BLOCK-GUIDE-PLATFORM-STOW
8	1	955-2392CLXT	BKT.-QUIET-RIDE MTG.-.955
7	1	14993	RIV-POP-SD66BS-3/16"-.25/.38/AUTO-BK
6	1	915-0703	BRACKET-INNER SIDE PANEL GUIDE
5	2	11513	RIV-POP-SD64BS-3/16"-.13/.25/AUTO-BK
4	1	945-0450	CAP-PARALLEL ARM
3	4	34398	WASHER-0.906"ID X 1.25"OD X .075"TH/ZINC
2	4	24011	BEARING-FLANGE-3/4" X 3/8"-12FDU06
1	1	991-0401FA52	ARM-PARALLEL/TOP-FRONT (Incl. Items 1-15)

Top Parallel Arm Assembly - Rear

Applicable Lifts:

CL995IBXT2752-2
CL995IBXT3052-2



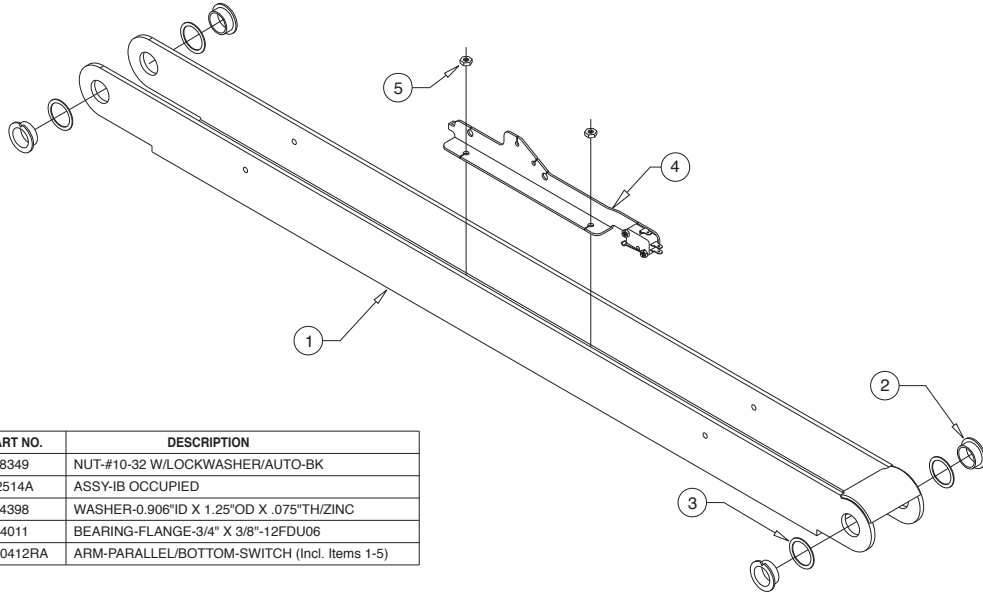
ITEM	QTY.	PART NO.	DESCRIPTION
15	1	10062	WASHER-1/4" FLAT/AUTO-BK
14	1	30996BK	NUT-5/16-18 ACORN
13	1	10068	WASHER-5/16" LOCK/AUTO-BK
12	1	15858BK	BOLT-CARR 5/16-18 X 3/4/AUTO-BK
11	1	16368	WASHER-5/16" EXTERNAL TOOTH
10	1	24440	BOLT-5/16-18 X 3/4-BHSC/AUTO-BK
9	1	28593A	ASSY-BLOCK-GUIDE-PLATFORM-STOW
8	1	955-2392CLXT	BKT.-QUIET-RIDE MTG.-.955
7	1	14993	RIV-POP-SD66BS-3/16"-.25/.38/AUTO-BK
6	1	915-0703	BRACKET-INNER SIDE PANEL GUIDE
5	2	11513	RIV-POP-SD64BS-3/16"-.13/.25/AUTO-BK
4	1	945-0450	CAP-PARALLEL ARM
3	4	34398	WASHER-0.906"ID X 1.25"OD X .075"TH/ZINC
2	4	24011	BEARING-FLANGE-3/4" X 3/8"-12FDU06
1	1	991-0401RA52	ARM-PARALLEL/TOP-REAR (Incl. Items 1-15)

Exploded Views and Parts Lists

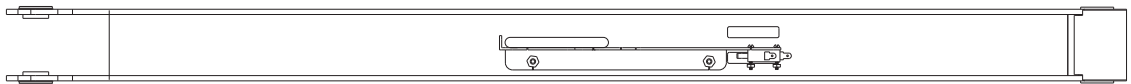
Bottom Parallel Arm Assembly - Pump Side

Applicable Lifts:

**CL918IBXT3456RP-2
CL918IBXT3460RP-2**



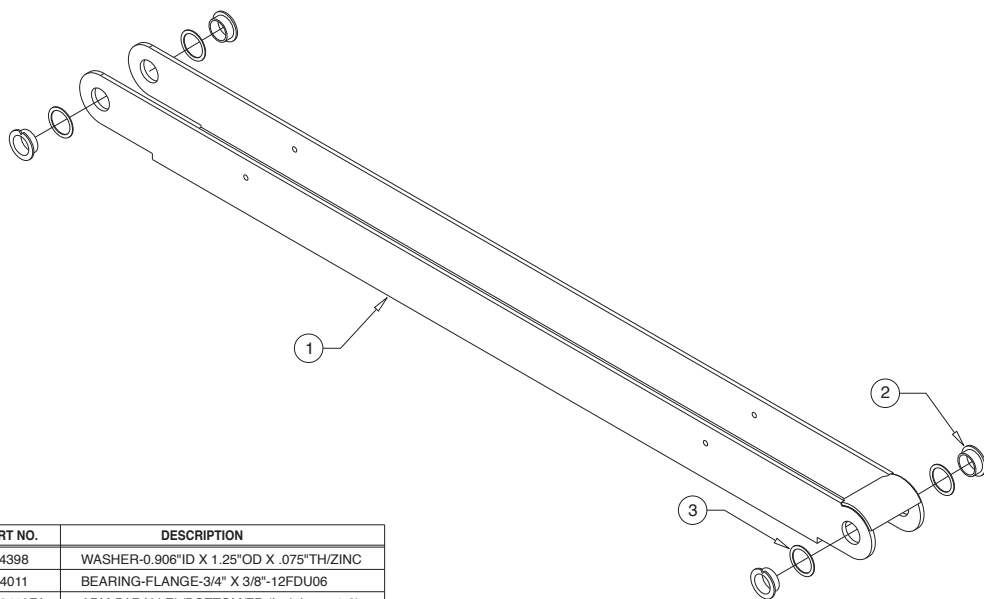
ITEM	QTY.	PART NO.	DESCRIPTION
5	2	18349	NUT-#10-32 W/LOCKWASHER/AUTO-BK
4	1	32514A	ASSY-IB OCCUPIED
3	4	34398	WASHER-0.906"ID X 1.25"OD X .075"TH/ZINC
2	4	24011	BEARING-FLANGE-3/4" X 3/8"-12FDU06
1	1	994-0412RA	ARM-PARALLEL/BOTTOM-SWITCH (Incl. Items 1-5)



Bottom Parallel Arm Assembly - Opposite Pump Side

Applicable Lifts:

**CL918IBXT3456RP-2
CL918IBXT3460RP-2**



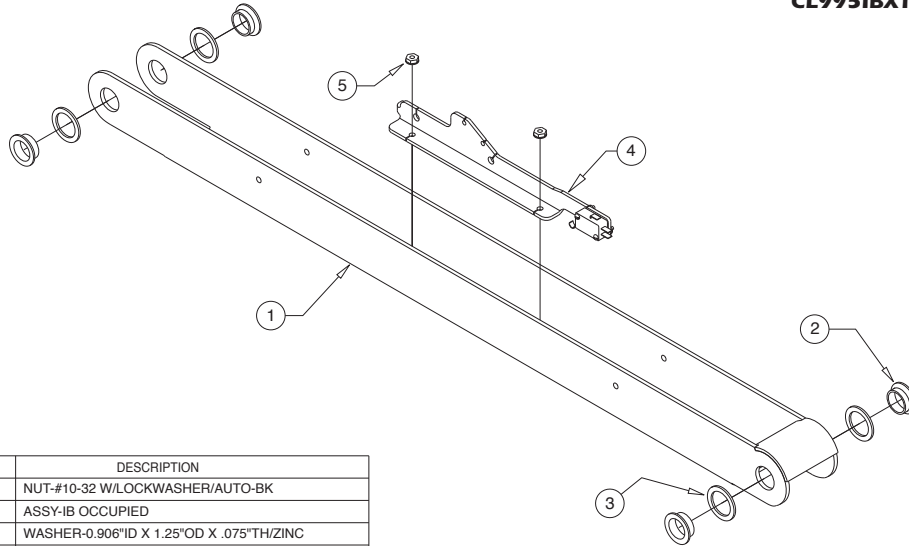
ITEM	QTY.	PART NO.	DESCRIPTION
3	4	34398	WASHER-0.906"ID X 1.25"OD X .075"TH/ZINC
2	4	24011	BEARING-FLANGE-3/4" X 3/8"-12FDU06
1	1	994-0412FA	ARM-PARALLEL/BOTTOM/FR (Incl. Items 1-3)

Exploded Views and Parts Lists

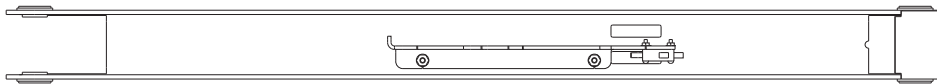
Bottom Parallel Arm Assembly - Pump Side

Applicable Lifts:

**CL995IBXT2752-2
CL995IBXT3052-2**



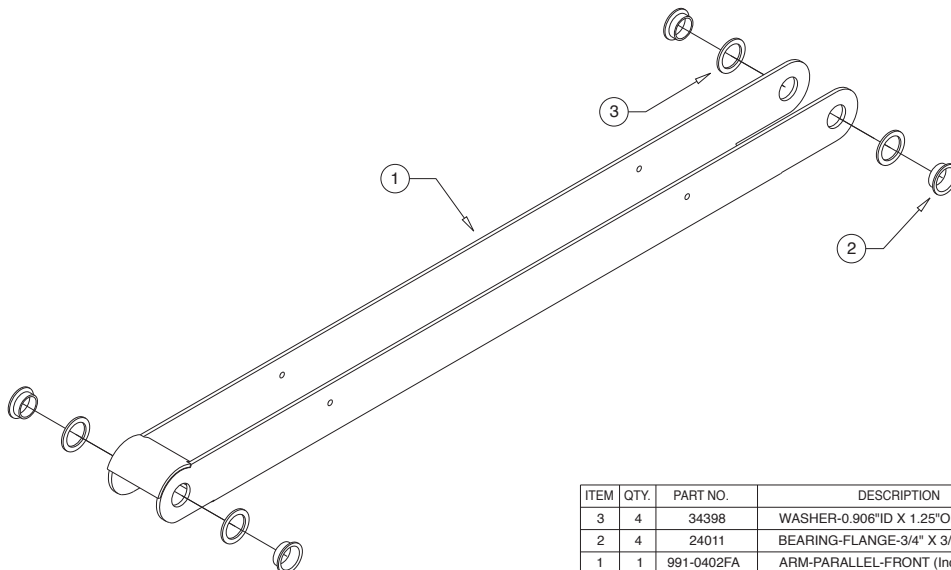
ITEM	QTY.	PART NO.	DESCRIPTION
5	2	18349	NUT-#10-32 W/LOCKWASHER/AUTO-BK
4	1	32514A	ASSY-IB OCCUPIED
3	4	34398	WASHER-0.906"ID X 1.25"OD X .075"TH/ZINC
2	4	24011	BEARING-FLANGE-3/4" X 3/8"-12FDU06
1	1	991-0402RA	ARM-PARALLEL/BOTTOM-REAR (Incl. Items 1-5)



Bottom Parallel Arm Assembly - Opposite Pump Side

Applicable Lifts:

**CL995IBXT2752-2
CL995IBXT3052-2**



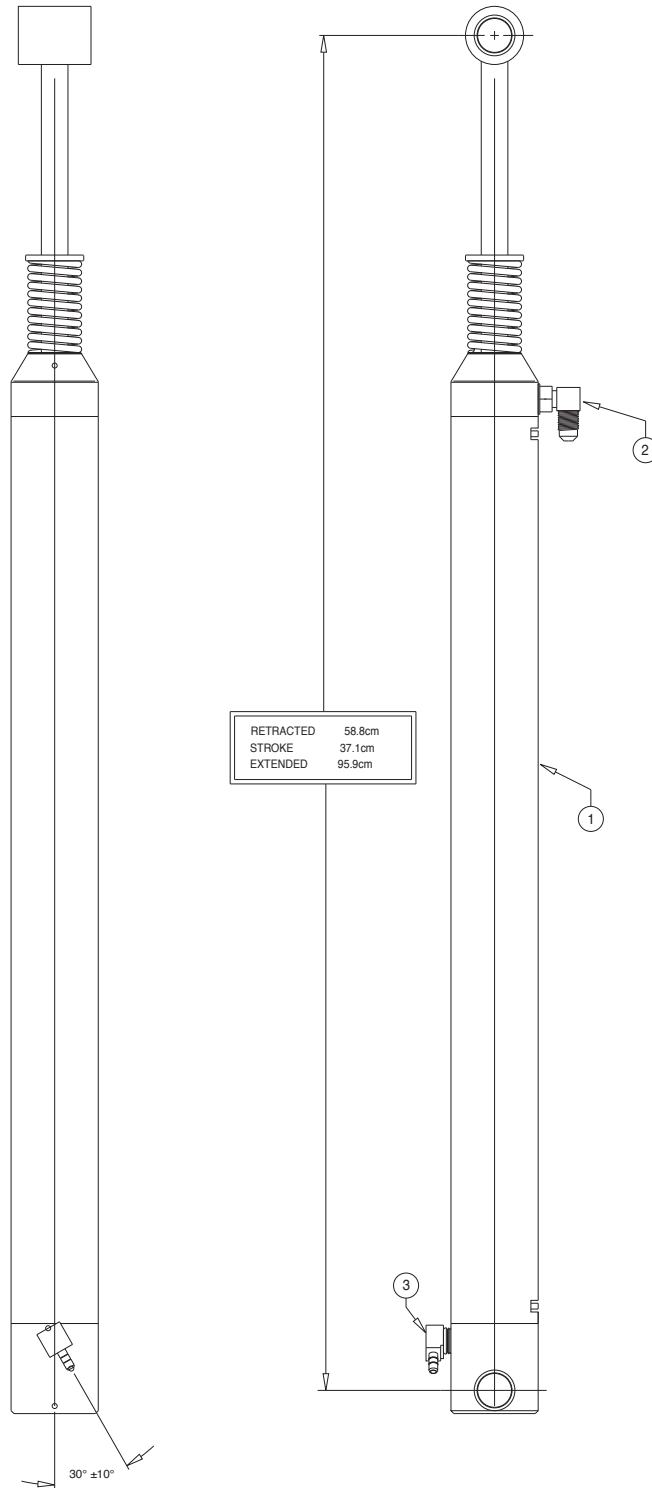
ITEM	QTY.	PART NO.	DESCRIPTION
3	4	34398	WASHER-0.906"ID X 1.25"OD X .075"TH/ZINC
2	4	24011	BEARING-FLANGE-3/4" X 3/8"-12FDU06
1	1	991-0402FA	ARM-PARALLEL-FRONT (Incl. Items 1-3)

Exploded Views and Parts Lists

Hydraulic Cylinder Assembly

Applicable Lifts:

**CL918IBXT3456RP-2
CL918IBXT3460RP-2**



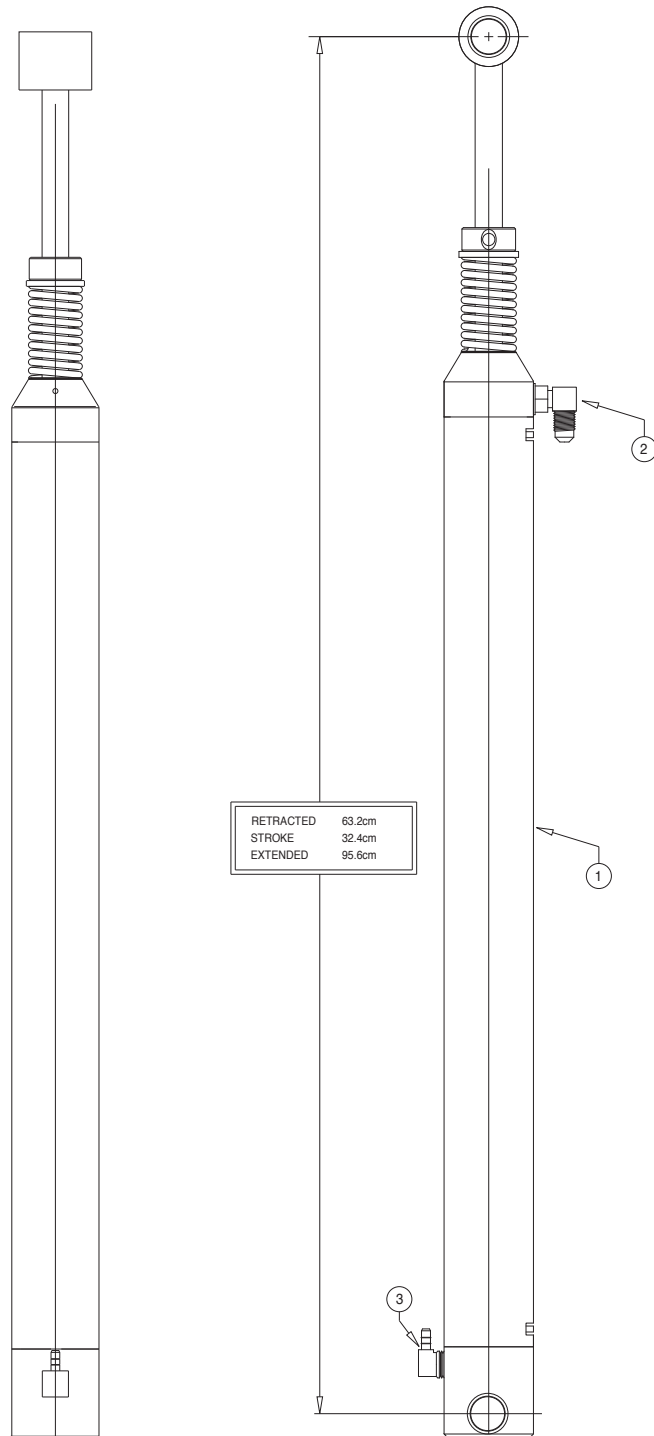
ITEM	QTY.	PART NO.	DESCRIPTION
3	1	15150	ELBOW-1/4 NPT 90° 1/4 BARB
2	1	26667	ELBOW-7/16-20 M/O-RNG/37"/.035 ORFICE
1	1	C1514.3-0407N	CYLINDER-14.625"/23.146 RETRACTED

Exploded Views and Parts Lists

Hydraulic Cylinder Assembly

Applicable Lifts:

CL995IBXT2752-2
CL995IBXT3052-2



ITEM	QTY.	PART NO.	DESCRIPTION
3	1	15150	ELBOW-1/4 NPT 90° 1/4 BARB
2	1	26667	ELBOW-7/16-20 M/O-RNG/37°/035 ORFICE
1	1	C1512.8-0408LT	CYLINDER-12.750"/24.883 RETRACTED

Exploded Views and Parts Lists

Vertical Arm Assembly - Rear

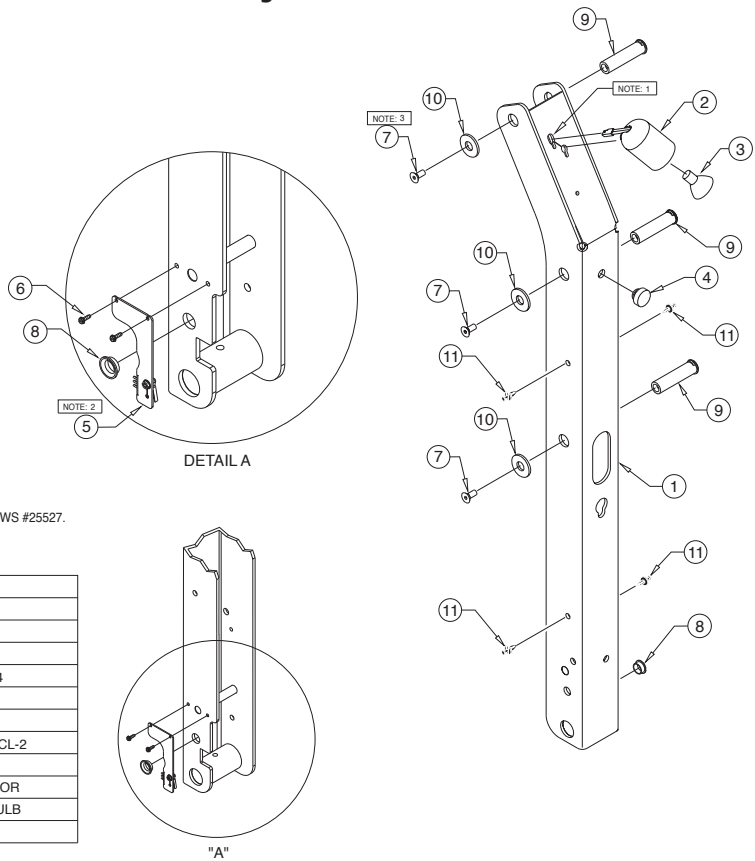
Applicable Lifts:

CL918IBXT3456RP-2
CL918IBXT3460RP-2

NOTICE

- 1) INSERT SOCKET OF LIGHT ASSY THRU TOP KEY WHILE INSTALLING LIGHT. TIGHTEN SCREWS.
- 2) HARNESS TO BE TUCKED INSIDE CHANNEL.
- 3) APPLY LOCTITE® THREADLOCKER RED 271™ OR EQUIVALENT TO SCREWS #25527.

ITEM	QTY.	PART NO.	DESCRIPTION
11	4	30063	RIVET-PUSH IN-8MM
10	3	25346	WASHER-1/2" FLAT/AUTO BK
9	3	936-0403	PIN-PIVOT PARALLEL ARM
8	1	24442	BEARING-FLANGE-1/2" X 1/4"-08FDU04
7	3	25527	SCREW-5/16-18 X 3/4" FHS/AUTO-BK
6	2	37049	SCREW-#4-40 X 3/8"-THREAD FORM
5	1	33689A	ASSY-BRIDGE SWITCH W/ HARN/NL/NCL-2
4	1	32408	RUBBER BUMPER-VERT CHAN.
3	1	31060	BULB-LIGHT-20W-HALOGEN REFLECTOR
2	1	31062A	ASSY-LIGHT-VERTICAL CHANNEL w/BULB
1	1	994-042RW	WMT-VERTICAL CHANNEL-REAR-42"



Vertical Arm Assembly - Front

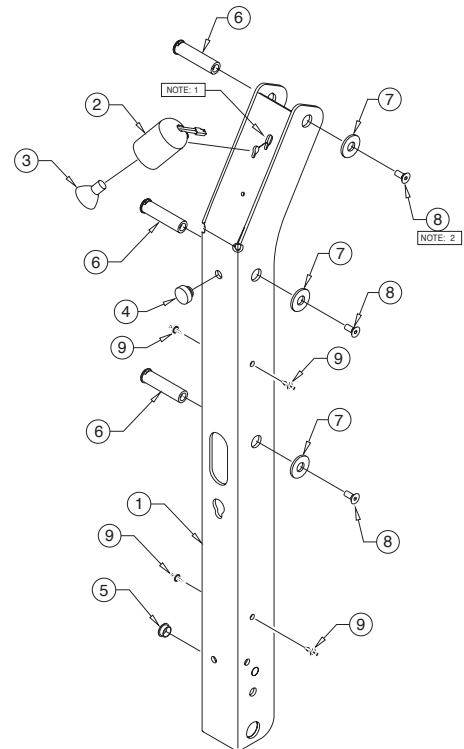
Applicable Lifts:

CL918IBXT3456RP-2
CL918IBXT3460RP-2

NOTICE

- 1) INSERT SOCKET OF LIGHT ASSY THRU TOP KEY WHILE INSTALLING LIGHT. TIGHTEN SCREWS.
- 2) APPLY LOCTITE® THREADLOCKER RED 271™ OR EQUIVALENT TO SCREWS #25527.

ITEM	QTY.	PART NO.	DESCRIPTION
9	4	30063	RIVET-PUSH IN-8MM
8	3	25527	SCREW-5/16-18 X 3/4" FHS/AUTO-BK
7	3	25346	WASHER-1/2" FLAT/AUTO BK
6	3	936-0403	PIN-PIVOT PARALLEL ARM
5	1	24442	BEARING-FLANGE-1/2" X 1/4"-08FDU04
4	1	32408	RUBBER BUMPER-VERT CHAN.
3	1	31060	BULB-LIGHT-12V-20W-HALOGEN REFLECTOR
2	1	31062A	ASSY-LIGHT-VERTICAL CHANNEL w/12V BULB
1	1	994-042FW	WMT-VERTICAL CHANNEL-FRONT-42"



Exploded Views and Parts Lists

Vertical Arm Assembly - Rear

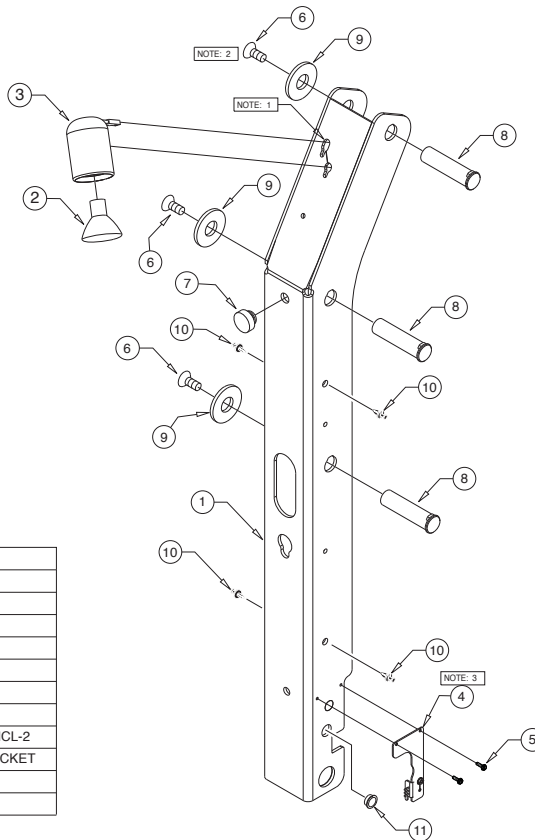
Applicable Lifts:

CL995IBXT2752-2
CL995IBXT3052-2

NOTICE

- 1) INSERT SOCKET OF LIGHT ASSY THRU TOP KEY WHILE INSTALLING LIGHT. TIGHTEN SCREWS.
- 2) APPLY LOCTITE® THREADLOCKER RED 271™ OR EQUIVALENT TO ALL #25527 SCREWS.
- 3) HARNESS TO BE TUCKED INSIDE CHANNEL.

ITEM	QTY.	PART NO.	DESCRIPTION
11	1	24442	BEARING-FLANGE - 1/2" X 1/4" - 08FDU04
10	4	30063	RIVET-PUSH IN-8MM
9	3	25346	WASHER-1/2" FLAT/AUTO-BK
8	3	936-0403	PIN-PIVOT PARALLEL
7	1	32408	RUBBER BUMPER-VERT CHAN.
6	3	25527	SCREW-5/16-18 X 3/4" FHS/AUTO-BK
5	2	37049	SCREW-#4-40 X 3/8"-THREAD FORM
4	1	33689A	ASSY-BRIDGE SWITCH W/HARNESS-NL/NCL-2
3	1	31062A	ASSY-LIGHT-VERT. CHANNEL/PHILIPS SOCKET
2	1	31060	BULB-LIGHT-20W-HALOGEN REFLECTOR
1	1	991-0442RW	WMT-VERTICAL CHANNEL-REAR-26"FTG



Vertical Arm Assembly - Front

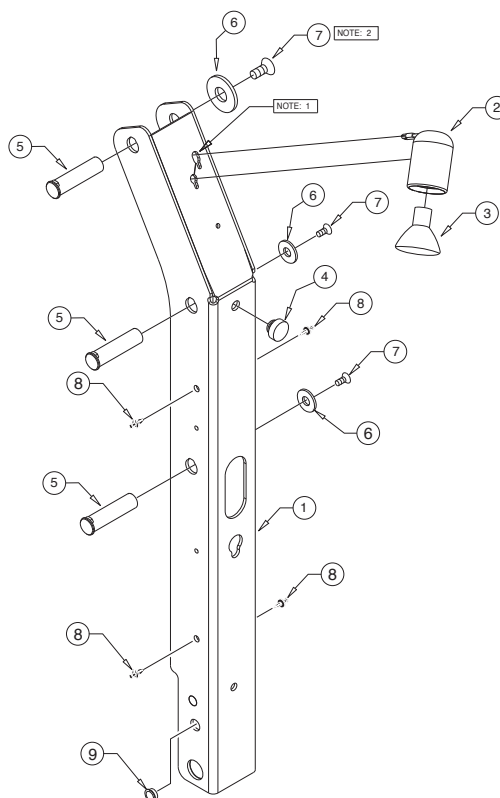
Applicable Lifts:

CL995IBXT2752-2
CL995IBXT3052-2

NOTICE

- 1) INSERT SOCKET OF LIGHT ASSY THRU TOP KEY WHILE INSTALLING LIGHT. TIGHTEN SCREWS.
- 2) APPLY LOCTITE® THREADLOCKER RED 271™ OR EQUIVALENT TO ALL #25527 SCREWS.

ITEM	QTY.	PART NO.	DESCRIPTION
9	1	24442	BEARING-FLANGE - 1/2" X 1/4" - 08FDU04
8	4	30063	RIVET-PUSH IN-8MM
7	3	25527	SCREW-5/16-18 X 3/4" FHS/AUTO-BK
6	3	25346	WASHER-1/2" FLAT/AUTO BK
5	3	936-0403	PIN-PIVOT PARALLEL ARM
4	1	32408	RUBBER BUMPER-VERT CHAN.
3	1	31060	BULB-LIGHT-20W-HALOGEN REFLECTOR
2	1	31062A	ASSY-LIGHT-VERTICAL CHANNEL w/BULB
1	1	991-0442FW	WMT-VERTICAL CHANNEL-FRONT-26"FTG

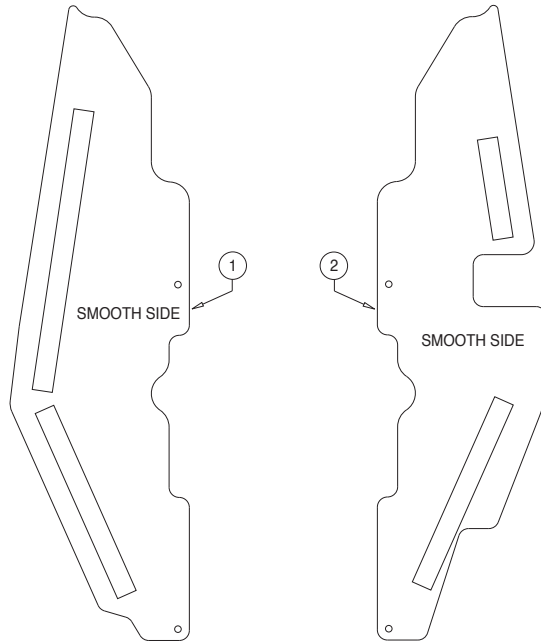


Exploded Views and Parts Lists

Front Arm Cover Assembly

Applicable Lifts:

CL918IBXT3456RP-2
CL918IBXT3460RP-2

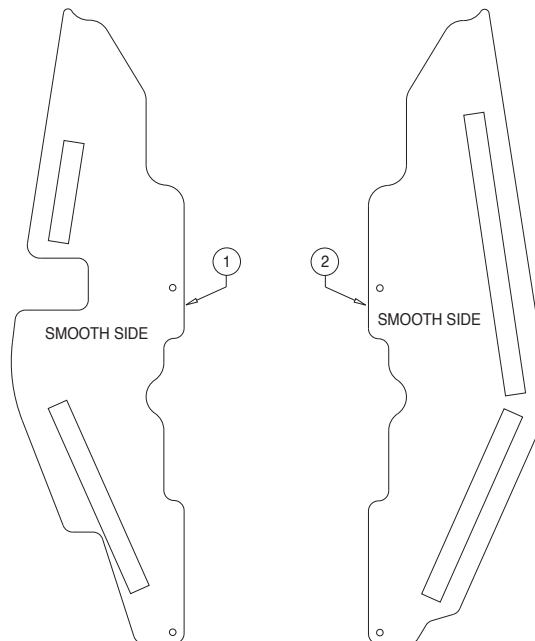


ITEM	QTY.	PART NO.	DESCRIPTION
2	1	945-0701NA	COVER-PLASTIC-PARALLEL ARM-INSIDE-FRONT
1	1	915-0704NA	COVER-PLASTIC-PARALLEL ARM-OUTSIDE-FRONT

Rear Arm Cover Assembly

Applicable Lifts:

CL918IBXT3456RP-2
CL918IBXT3460RP-2



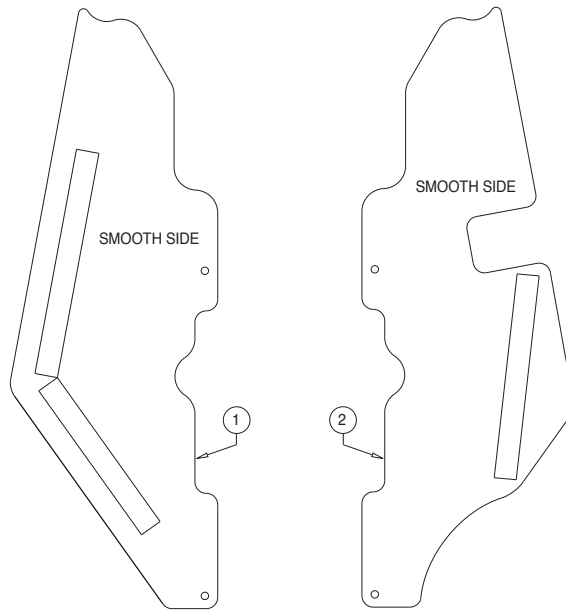
ITEM	QTY.	PART NO.	DESCRIPTION
2	1	915-0702NA	COVER-PLASTIC-PARALLEL ARM-OUTSIDE-REAR
1	1	945-0703NA	COVER-PLASTIC-PARALLEL ARM-INSIDE-REAR

Exploded Views and Parts Lists

Front Arm Cover Assembly

Applicable Lifts:

CL995IBXT2752-2
CL995IBXT3052-2

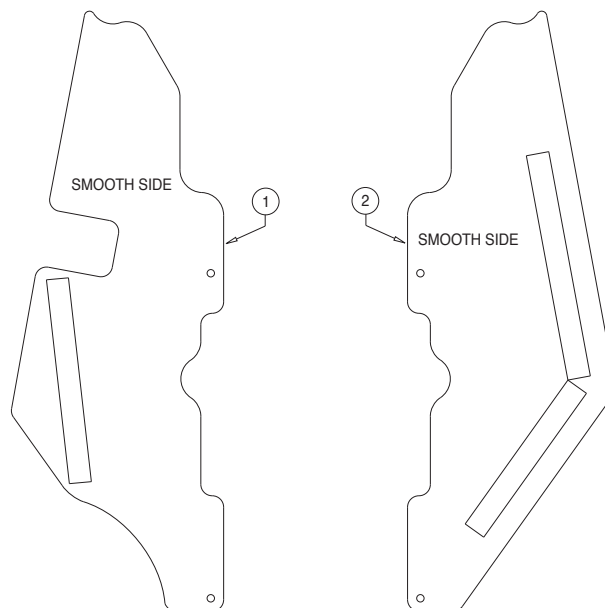


ITEM	QTY.	PART NO.	DESCRIPTION
2	1	991-0701A52	COVER-PLASTIC-PARALLEL ARM-INSIDE-FRONT
1	1	991-0704A	COVER-PLASTIC-PARALLEL ARM-OUTSIDE-FRONT

Rear Arm Cover Assembly

Applicable Lifts:

CL995IBXT2752-2
CL995IBXT3052-2



ITEM	QTY.	PART NO.	DESCRIPTION
2	1	991-0702A	COVER-PLASTIC-PARALLEL ARM-OUTSIDE-RR
1	1	991-0703A52	COVER-PLASTIC-PARALLEL ARM-INSIDE-RR

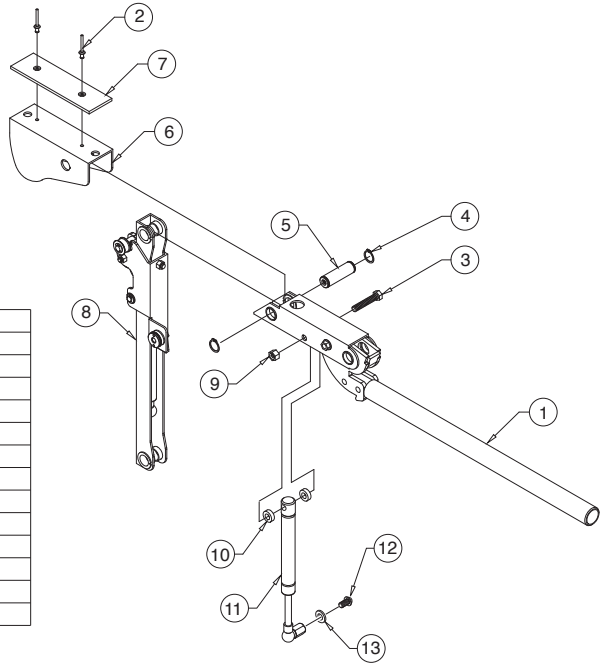
Exploded Views and Parts Lists

Front Handrail Assembly

Applicable Lifts:

CL918IBXT3456RP-2
CL918IBXT3460RP-2

ITEM	QTY.	PART NO.	DESCRIPTION
13	1	10069	WASHER - 3/8" LOCK
12	1	25171	BOLT - 3/8-16 X 3/4" FLBHSCS-GD8
11	1	29186A	GAS SPRING-14.468 EXT/8.956 COM-P1=1150N
10	2	30227	WASHER-UHMW 0.75 OD X 0.39 ID X 0.25
9	1	13617	NUT-3/8-16 UNC HEX LOCK/AUTO-BK
8	1	994-0640FNA	ASSY-FOLD ARM-42 FTG-FRONT
7	1	31677	SLIDE-UHMW-PLATFORM SLIDE-2X6.9"
6	1	915-2606N	SLIDE-PLATFORM ROTATE HANDRAIL
5	1	900-0413N	PIN-PIVOT LOWER ARM
4	2	18657	RING-3/4 EXT SNAP/AUTO-BK
3	1	10027	BOLT-3/8-16 X 2" HEX HD. CAP
2	2	11513	RIV-POP-SD64BS-3/16"- .13/.25/AUTO-BK
1	1	C994-0618A	HANDRAIL ASSY

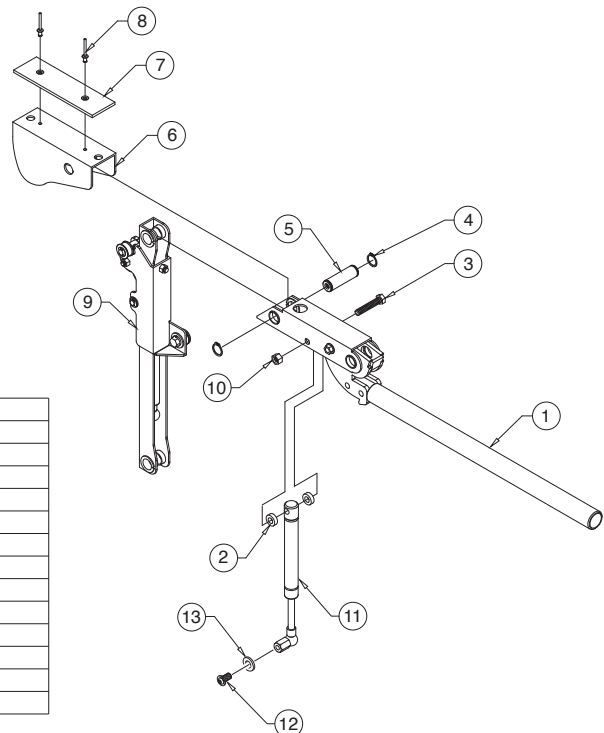


Rear Handrail Assembly

Applicable Lifts:

CL918IBXT3456RP-2
CL918IBXT3460RP-2

ITEM	QTY.	PART NO.	DESCRIPTION
13	1	10069	WASHER - 3/8" LOCK
12	1	25171	BOLT - 3/8-16 X 3/4" FLBHSCS-GD8
11	1	29186A	GAS SPRING-14.468 EXT/8.956 COM-P1=1150N
10	1	13617	NUT-3/8-16 UNC HEX LOCK/AUTO-BK
9	1	994-0640RA	ASSY-FOLD ARM-42 FTG-REAR
8	2	11513	RIV-POP-SD64BS-3/16"- .13/.25/AUTO-BK
7	1	31677	SLIDE-UHMW-PLATFORM SLIDE-2X6.9"
6	1	915-2606N	SLIDE-PLATFORM ROTATE HANDRAIL
5	1	900-0413N	PIN-PIVOT LOWER ARM
4	2	18657	RING-3/4 EXT SNAP/AUTO-BK
3	1	10027	BOLT-3/8-16 X 2" HEX HD. CAP
2	2	30227	WASHER-UHMW 0.75 OD X 0.39 ID X 0.25
1	1	C994-0618A	HANDRAIL ASSY



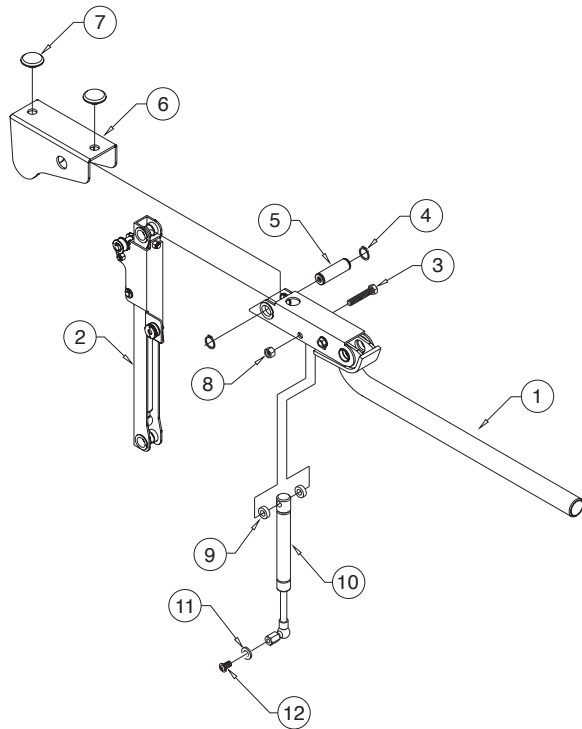
Exploded Views and Parts Lists

Front Handrail Assembly

Applicable Lifts:

CL995IBXT2752-2
CL995IBXT3052-2

ITEM	QTY.	PART NO.	DESCRIPTION
12	1	25171	BOLT - 3/8-16 X 3/4" FLBHSCS-GD8
11	1	10069	WASHER - 3/8" LOCK
10	1	29186A	GAS SPRING ASSY-14.468 EXT/8.956 COMP
9	2	30227	WASHER-UHMW 0.75" OD X 0.39" ID X 0.25"
8	1	13617	NUT-3/8-16 UNC HEX LOCK/AUTO-BK
7	2	205-1760	BEARING-UHMW FLAT/1226-THN-BLK
6	1	991-0606	SLIDE-PLATFORM ROTATE
5	1	900-0413N	PIN-PIVOT LOWER ARM
4	2	18657	RING-3/4" EXT SNAP/AUTO-BK
3	1	10027	BOLT-3/8-16 X 2" HEX HD. CAP
2	1	991-0640FA	ASSY-FOLD ARM-42 FTG-FRONT
1	1	991-0618A	HANDRAIL ASSY

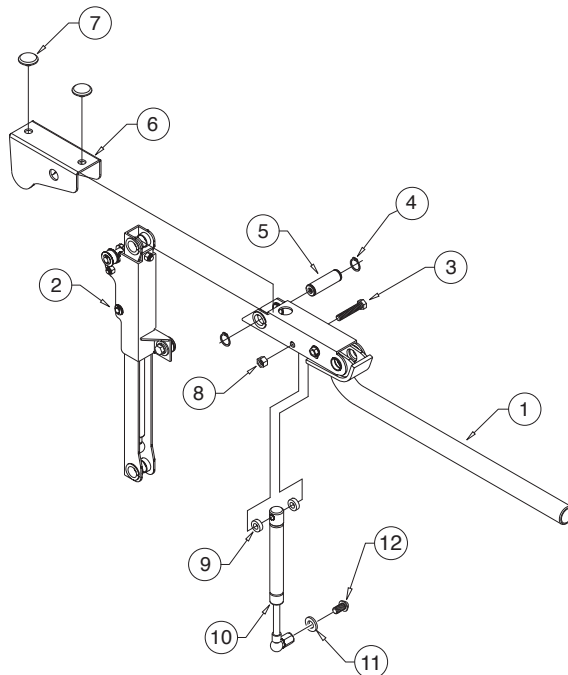


Rear Handrail Assembly

Applicable Lifts:

CL995IBXT2752-2
CL995IBXT3052-2

ITEM	QTY.	PART NO.	DESCRIPTION
12	1	25171	BOLT - 3/8-16 X 3/4" FLBHSCS-GD8
11	1	10069	WASHER - 3/8" LOCK
10	1	29186A	GAS SPRING ASSY-14.468 EXT/8.956 COMP
9	2	30227	WASHER-UHMW 0.75" OD X 0.39" ID X 0.25"
8	1	13617	NUT-3/8-16 UNC HEX LOCK/AUTO-BLK
7	2	205-1760	BEARING-UHMW FLAT/1226-THN-BLK
6	1	991-0606	SLIDE-PLATFORM-ROTATE
5	1	900-0413N	PIN-PIVOT LOWER ARM
4	2	18657	RING-3/4" EXT SNAP/AUTO-BK
3	1	10027	BOLT-3/8-16 X 2" HEX HD. CAP
2	1	991-0640RA	ASSY-FOLD ARM-42" FTG-REAR
1	1	991-0618A	HANDRAIL ASSY

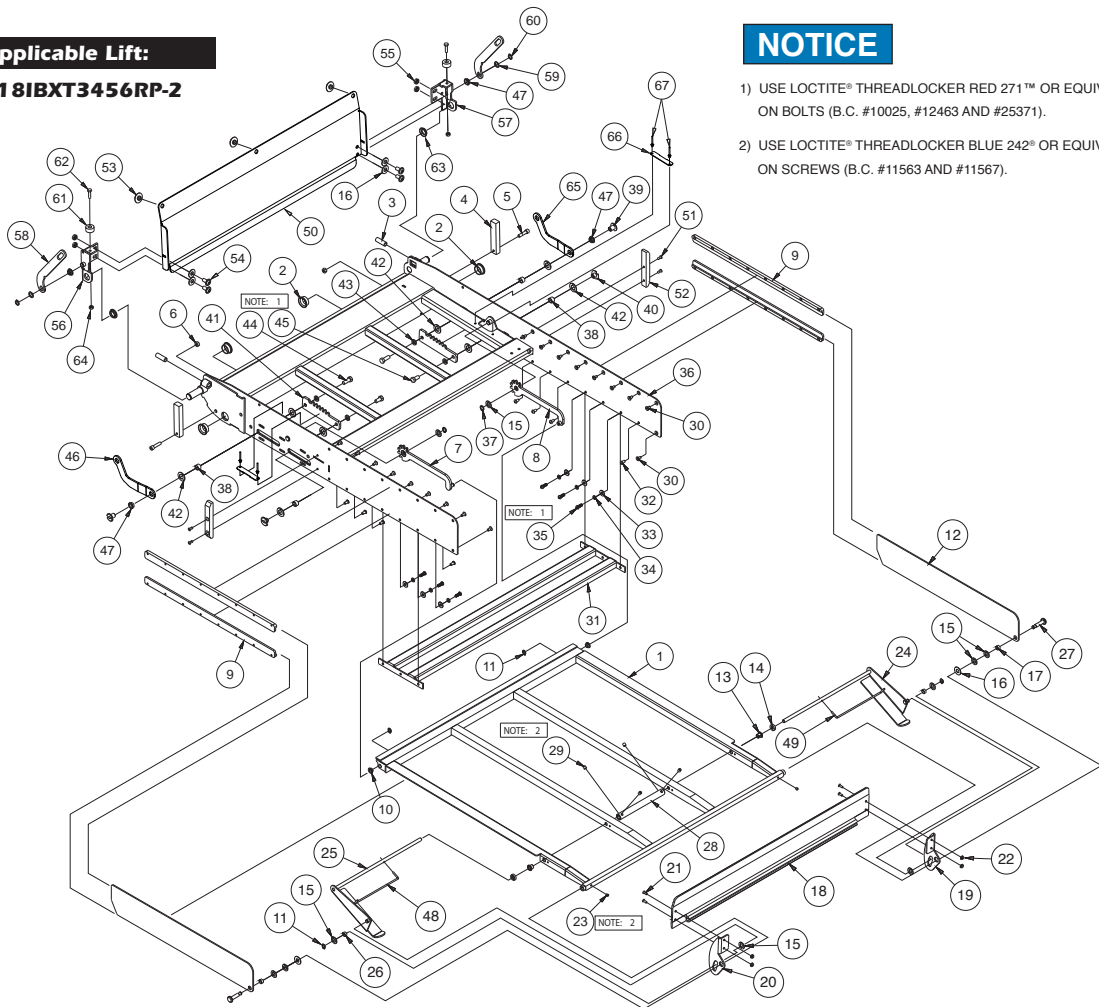


Exploded Views and Parts Lists

Platform Assembly

Applicable Lift:

CL918IBXT3456RP-2



NOTICE

- 1) USE LOCTITE® THREADLOCKER RED 271™ OR EQUIVALENT ON BOLTS (B.C. #10025, #12463 AND #25371).
- 2) USE LOCTITE® THREADLOCKER BLUE 242® OR EQUIVALENT ON SCREWS (B.C. #11563 AND #11567).

ITEM	QTY	PART NUMBER	DESCRIPTION
35	6	25371	BOLT-1/4-20X3/4"BHCS NYLK/BKZN
34	6	10067	WASHER-1/4" LOCK/AUTO-BK
33	6	10062	WASHER-1/4" FLAT/AUTO-BK
32	8	15733	BOLT-1/4-20 X 1/2 BUT HD SOC/AUTO-BK
31	1	34896W34	WMT-PLATFORM BRACE-CL955XT-34"
30	18	18860	SCREW-1/4-20X1/2 FL. SOC CAP HD
29	4	11567	SCREW-5/16-18 X 5/16" SET
28	1	995-0208	COLLAR-ROLL STOP-TORSION BAR
27	2	34895	PIN-BEARING-PLATFORM OUTER PIVOT
26	2	945-0336N	BEARING-PLATFORM SLIDE
25	1	975-4204RW	LATCH FOOT/REAR/WMT
24	1	975-4204FW	LATCH FOOT/Front/WMT
23	2	11563	SCREW-1/4-20 X 1/4 SET CUP PT
22	4	18349	NUT-#10-32 W/LOCKWASHER/AUTO-BK
21	4	17192P	SCREW-#10-32X1/2 FHDHXS-AUTO BLK-W/PATCH
20	1	GV936-3203RRBKN	ROLL STOP ARM - REAR
19	1	GV936-3203FRBKN	ROLL STOP ARM - FRONT
18	1	V955-0312Y-34	ROLL STOP-TOP-34"
17	2	975-2358	BEARING-PLATFORM-SLIDE
16	6	10064	WASHER-3/8" FLAT/AUTO-BK
15	10	29371	WASHER-THRUST-.875 OD/.50 ID/.0585T
14	2	30843	SPACER-UHMW 0.75 OD X 0.39 ID X 0.20
13	2	28128	BEARING-FLANGE-10MM X 12MM-BB1012DU
12	2	C955-0361BKN	SIDE PLATE/MOVING
11	4	13889	RING-3/8 EXT SELF LOCK SNAP/AUTO-BK
10	2	24028	BEARING-PLASTIC-FLANGE-3/8IDX1/4"
9	4	C955-0304BKN	SIDE PLATE TRACK
8	1	C955-0328FRBKN	GEAR ASSEMBLY/Front
7	1	C955-0328RRBKN	GEAR ASSEMBLY/REAR
6	2	28324BK	NUT-5/16-18 TOP LOCK/AUTO-BK
5	2	81003-000	SCREW -5/16-18 X 1-1/4 SHCS BK ZINC
4	2	900-0311	STOP-PLATFORM
3	2	18663	SCREW-1/2-20 X 1.5 SET-LOCK/AUTO-BK
2	4	28031	BEARING-FLANGE-1 X 1/2-16FDU08
1	1	C955-33456OTW	PLATFORM WELDMENT MOVABLE-OUTER

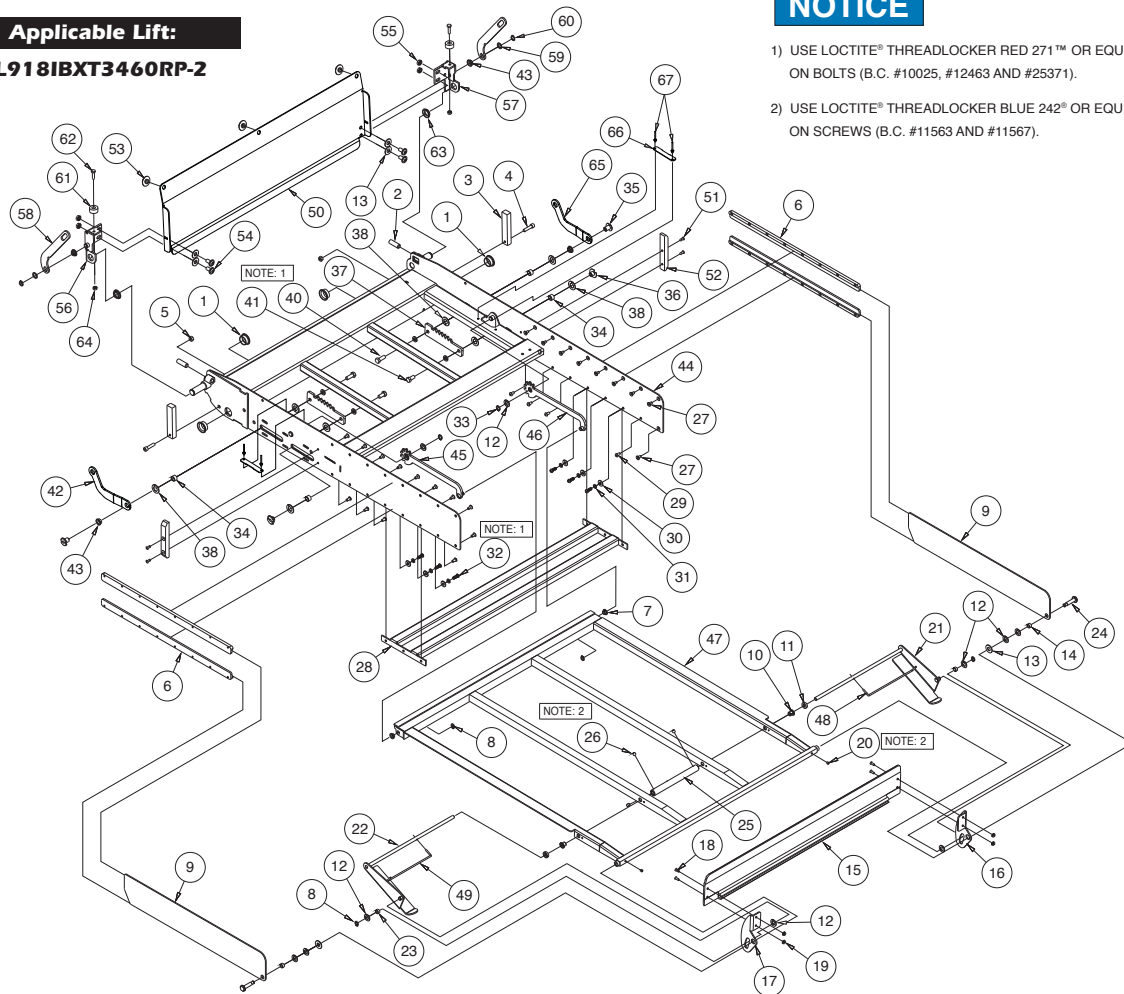
ITEM	QTY	PART NUMBER	DESCRIPTION
69	2	30236R039.5	DECAL-BOUNDARY YELLOW VINYL 1" X 39.5" (NOT SHOWN)
68	1	30236R032.5	DECAL-BOUNDARY YELLOW VINYL 1" X 32.5" (NOT SHOWN)
67	4	11513	RIVET-POP-SD64BS-3/16"-.13/.25" / AUTO BK
66	2	35909	COVER-VL GEAR OPENING
65	1	C994-0333F	LINK-PLATFORM CHANNEL-Front
64	2	14614Z	NUT-1/4-20 NYLOCK - ZINC
63	2	24012	BEARING-FLANGE 3/4" X 1/4"-12FDU04
62	2	10001	BOLT-1/4-20 X 1" HEX
61	2	33654	BUMPER-1" X 1/2" LG BLK UHMW/BRIDGEPLATE
60	2	13273	RING-1/2" EXT SELF LOCKSNAP/AUTO-BK
59	2	25336	WASHER-.516" ID X .75" OD X .25" / AUTO-BK
58	2	955-0404N	LEVER-INBOARD BARRIER
57	1	955-0431FNW	WMT-BKT-BRIDGEPLATE-Front
56	1	955-0431RNW	WMT-BKT-BRIDGEPLATE-REAR
55	4	20926	NUT-3/8-16 UNC HEX LOCK JAMB
54	4	25171	BOLT-3/8-16 X 3/4" FLBHSCS-GD8
53	3	916-5406	BEARING-UHMW FLAT-THIN-BLK
52	2	36142	STOW GUIDE-VISTA PLATFORM
51	4	14993	RIV-POP-SD66BS-3/16"-.25/.38/AUTO-BK
50	1	957-0147-34Y	BRIDGE PLATE-PLT-34x42 FTG (957-0147A34Y INCL. 16, 47, 50, 53-64)
49	1	28132F	ROD-5/32"-TORSION SPRING BAR-FR
48	1	28132R	ROD-5/32"-TORSION SPRING BAR-RR
47	4	24442	BEARING-FLANGE-1/2" X 1/4"-08FDU04
46	1	C994-0333R	LINK-PLATFORM/VERT CHANNEL-REAR
45	2	12463	BOLT-3/8-16 X 3/4 GR5-HEX/AUTO-BK
44	2	10025	BOLT-3/8-16 X 1" HEX/AUTO-BK
43	4	10069	WASHER-3/8" LOCK
42	8	29378	WASHER-THRUST-1.125 OD/.625 ID/.0585T
41	2	C955-0329BKN	GEAR RACK-PLATFORM FOLD
40	2	975-2202	PIN-BEARING-GEAR RACK
39	2	975-2334	PIN-BEARING-GEAR RACK
38	4	975-2359	BEARING-PLATFORM-SLIDE
37	2	13273	RING-1/2" EXT SELF LOCK SNAP/AUTO-BK
36	1	C995-03456INW	PLATFORM WELDMENT FIXED INNER

Exploded Views and Parts Lists

Platform Assembly

Applicable Lift:

CL918IBXT3460RP-2



NOTICE

- 1) USE LOCTITE® THREADLOCKER RED 271™ OR EQUIVALENT ON BOLTS (B.C. #10025, #12463 AND #25371).
- 2) USE LOCTITE® THREADLOCKER BLUE 242® OR EQUIVALENT ON SCREWS (B.C. #11563 AND #11567).

ITEM	QTY	PART NUMBER	DESCRIPTION
35	2	975-2334	PIN-BEARING-GEAR RACK
34	4	975-2359	BEARING-PLATFORM-SLIDE
33	2	13273	RING-1/2" EXT SELF LOCK SNAP/AUTO-BK
32	6	25371	BOLT-1/4-20X3/4" BHCS NYLK/BKZN
31	6	10067	WASHER-1/4" LOCK/AUTO-BK
30	6	10062	WASHER-1/4" FLAT/AUTO-BK
29	8	15733	BOLT-1/4-20 X 1/2" BUT HD SOC/AUTO-BK
28	1	34896W34	WMT-PLATFORM BRACE-CL955XT-34"
27	18	18860	SCREW-1/4-20X1/2" FL SOC CAP HD
26	4	11567	SCREW-5/16-18 X 5/16" SET
25	1	995-0208	COLLAR-ROLL STOP-TORSION BAR
24	2	34895	PIN-BEARING-PLATFORM OUTER PIVOT
23	2	945-0336N	BEARING-PLATFORM SLIDE
22	1	975-4204RW	LATCH FOOT/REAR/WMT
21	1	975-4204FW	LATCH FOOT/FRONT/WMT
20	2	11563	SCREW-1/4-20 X 1/4" SET CUP PT
19	4	18349	NUT-#10-32 W/LOCKWASHER/AUTO-BK
18	4	17192P	SCREW-#10-32X1/2" FHDHXS-AUTO BLK-W/PATCH
17	1	GV936-3203RRBKN	ROLL STOP ARM - REAR
16	1	GV936-3203FRBKN	ROLL STOP ARM - FRONT
15	1	V955-0312Y-34	ROLL STOP-TOP-34"
14	2	975-2358	BEARING-PLATFORM-SLIDE
13	6	10064	WASHER-3/8" FLAT/AUTO-BK
12	10	29371	WASHER-THRUST-.875" OD/.50" ID/.0585"T
11	2	30843	SPACER-UHMW 0.75" OD X 0.39" ID X 0.20"
10	2	28128	BEARING-FLANGE-10MM X 12MM-BB1012DU
9	2	C955-0361BKN-60	SIDE PLATE/MOVING
8	4	13889	RING-3/8" EXT SELF LOCK SNAP/AUTO-BK
7	2	24028	BEARING-PLASTIC-FLANGE-3/8" ID X 1/4"
6	4	C955-0304BKN	SIDE PLATE TRACK
5	2	28324BK	NUT-5/16-18 TOP LOCK/AUTO-BK
4	2	81003-000	SCREW -5/16-18 X 1-1/4" SHCS BK ZINC
3	2	900-0311	STOP-PLATFORM
2	2	18663	SCREW-1/2-20 X 1.5" SET-LOCK/AUTO-BK
1	4	28031	BEARING-FLANGE-1" X 1/2"-16FDU08

ITEM	QTY	PART NUMBER	DESCRIPTION
69	1	30236R032.5	DECAL-BOUNDARY YELLOW LEXAN 1" X 32.5" (NOT SHOWN)
68	2	30236R039.5	DECAL-BOUNDARY YELLOW LEXAN 1" X 39.5" (NOT SHOWN)
67	4	11513	RIVET-POP-SD64BS-3/16".13/.25 / AUTO-BK
66	2	35909	COVER-VL GEAR OPENING
65	1	C994-0333F	LINK-PLATFORM CHANNEL-FRONT
64	2	14614Z	NUT-1/4-20 NYLOCK-ZINC
63	2	24012	BEARING-FLANGE 3/4" X 1/4"-12FDU04
62	2	10001	BOLT-1/4-20 X 1" HEX
61	2	33654	BUMPER-1" X 1/2" LG BLK UHMW/BRIDGEPLATE
60	2	13273	RING-1/2" EXT SELF LOCKSNAP/AUTO-BK
59	2	25336	WASHER-.516" ID X .75" OD X .25" / AUTO-BK
58	2	955-0404N	LEVER-INBOARD BARRIER
57	1	955-0431FNW	WMT-BKT-BRIDGEPLATE-FRONT
56	1	955-0431RNW	WMT-BKT-BRIDGEPLATE-REAR
55	4	20926	NUT-3/8-16 UNC HEX LOCK JAMB
54	4	25171	BOLT-3/8-16 X 3/4" FLBHSCS-GD8
53	3	916-5406	BEARING-UHMW FLAT-THIN-BLK
52	2	36142	STOW GUIDE-VISTA PLATFORM
51	4	14993	RIV-POP-SD66BS-3/16".25"/.38"/AUTO-BK
50	1	957-0147-34Y	BRIDGE PLATE-PLT-34"/42" FTG AUTO (957-0147/34Y INCL 13, 43, 50-64)
49	1	28132R	ROD-5/32"-TORSION SPRING BAR-RR
48	1	28132F	ROD-5/32"-TORSION SPRING BAR-FR
47	1	C955-33460OTW	PLATFORM WELDMENT MOVABLE-OUTER
46	1	995-032840FRABKN	GEAR ASSEMBLY/FRONT
45	1	995-032840RRABKN	GEAR ASSEMBLY/REAR
44	1	C955-03460INW	PLATFORM WELDMENT FIXED-INNER
43	4	24442	BEARING-FLANGE-1/2" X 1/4"-08FDU04
42	1	C994-0333R	LINK-PLATFORM/VERT CHANNEL-REAR
41	2	12463	BOLT-3/8-16 X 3/4" GR5-HEX/AUTO-BK
40	2	10025	BOLT-3/8-16 X 1" HEX/AUTO-BK
39	4	10069	WASHER-3/8" LOCK
38	8	29378	WASHER-THRUST-1.125" OD/.625" ID/.0585"T
37	2	C955-0329BKN	GEAR RACK-PLATFORM FOLD
36	2	975-2202	PIN-BEARING-GEAR RACK

Exploded Views and Parts Lists

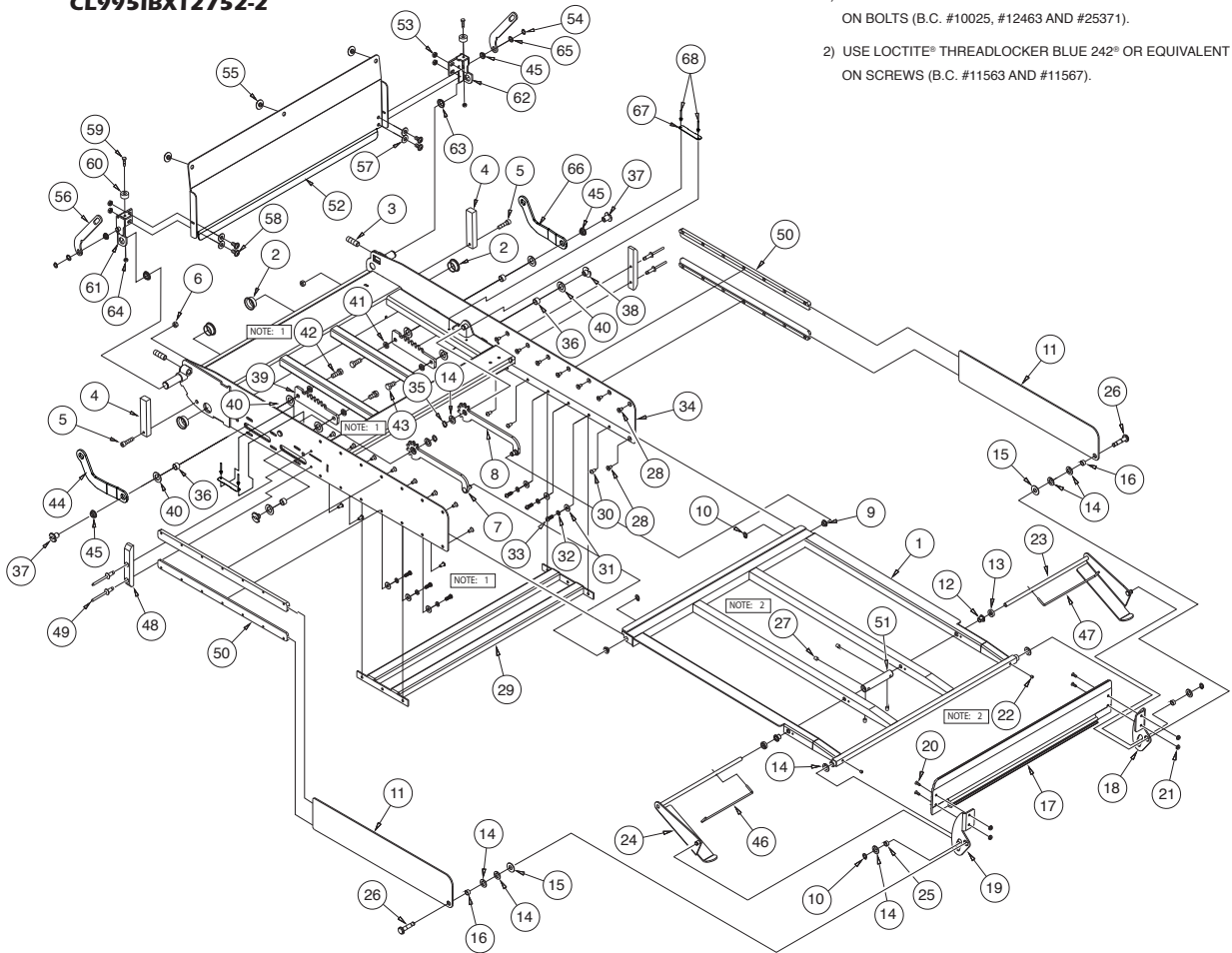
Platform Assembly

Applicable Lift:

CL995IBXT2752-2

NOTICE

- 1) USE LOCTITE® THREADLOCKER RED 271™ OR EQUIVALENT ON BOLTS (B.C. #10025, #12463 AND #25371).
- 2) USE LOCTITE® THREADLOCKER BLUE 242® OR EQUIVALENT ON SCREWS (B.C. #11563 AND #11567).



ITEM	QTY.	PART NO.	DESCRIPTION
35	2	13273	RING-1/2 EXT SELF LOCK SNAP/AUTO-BK
34	1	C955-02752INW	PLATFORM WELDMENT FIXED INNER
33	6	25371	BOLT-1/4-20 X 3/4" BHCS NYLK/BKZN
32	6	10067	WASHER-1/4" LOCK/AUTO-BK
31	6	10062	WASHER-1/4" FLAT/AUTO-BK
30	6	15733	BOLT-1/4-20 X 1/2 BUT HD SOC/AUTO-BK
29	1	3489W27	PLATFORM BRACE-CL955XT-27"
28	16	18860	SCREW-1/4-20 X 1/2 FHSCS/ZINC
27	4	11567	SCREW-5/16-18 X 5/16" SET
26	2	34895	PIN-BEARING-PLATFORM OUTER PIVOT-CL955
25	2	945-0336N	BEARING-PLATFORM SLIDE
24	1	GV936-3204RW	LATCH FOOT/REAR/WMT
23	1	GV936-3204FW	LATCH FOOT/Front/WMT
22	2	11563	SCREW-1/4-20 X 1/4 SET CUP PT
21	4	18349	NUT-#10-32 W/LOCKWASHER/AUTO-BK
20	4	17192P	SCREW-#10-32 X 1/2 FHDHXS-AUTO BLK-W/PAT
19	1	GV936-3203RRBKN	ROLL STOP ARM-REAR
18	1	GV936-3203FRBKN	ROLL STOP ARM-FRONT
17	1	V955-0312Y-27	ROLL STOP-TOP-27
16	2	975-2358	BEARING-PLATFORM-SLIDE
15	2	10064	WASHER-3/8" FLAT/AUTO-BK
14	10	29371	WASHER-THRUST-.875 OD/.50 ID/.0585T
13	2	30843	SPACER-UHMW 0.75 OD X .39 ID X 0.20
12	2	28128	BEARING-FLANGE-10MM X 12MM-BB1012DU
11	2	C955-0361BKN-52	MOVING SIDE PLATE
10	4	13889	RING-3/8 RETAINING SNAP
9	2	24028	BEARING-PLASTIC-FLANGE-3/8ID X 1/4"
8	1	C955-0328FRABKN	GEAR ASSEMBLY/Front
7	1	C955-0328RRABKN	GEAR ASSEMBLY/REAR
6	2	28324BK	NUT-5/16-18 TOP LOCK/AUTO-BK
5	2	81003-000	SCREW-5/16-18 X 1-1/4 SHCS BK ZINC
4	2	900-0311	STOP-PLATFORM
3	2	18663	SCREW-1/2-20 X 1.5 SET-LOCK
2	4	28031	BEARING-FLANGE-1 X 1/2-16FDU08
1	1	C955-32752OTW	PLATFORM WELDMENT MOVABLE-OUTER

ITEM	QTY.	PART NO.	DESCRIPTION
70	2	30236R035.5	DECAL-BOUNDARY YELLOW LEXAN 1" X 35.5" (NOT SHOWN)
69	1	30236R025.5	DECAL-BOUNDARY YELLOW LEXAN 1" X 25.5" (NOT SHOWN)
68	4	11513	RIVET-POP-SD64BS-3/16"-.13/.25" / AUTO-BK
67	2	35909	COVER-VL GEAR OPENING
66	1	C994-0333F	LINK-PLATFORM/VERT CHANNEL-FRONT
65	2	25336	WASHER-.516ID X .75OD X .0250/AUTO-BK
64	2	14614Z	NUT-1/4-20 NYLOCK-ZINC
63	2	24012	BEARING-FLANGE-3/4" X 1/4"-12FDU04
62	1	985-0431FNW	BRIDGEPLATE BKT WMT-FR
61	1	985-0431RNW	WMT-BKT-BRIDGEPLATE-REAR
60	2	33654	BUMPER-1" X 1/2" LG BLK UHMW/BRIDGEPLATE
59	2	10001	BOLT-1/4-20 X 1" HEX
58	4	25171	BOLT-3/8-16 X 3/4" FLBHSCS-GD8
57	4	10064	WASHER-3/8" FLAT/AUTO-BK
56	2	991-0404	LEVER-IB
55	3	916-5406	BEARING-UHMW FLAT-THIN-BLK
54	2	13273	RING-1/2 EXT SELF LOCK SNAP/AUTO-BK
53	4	20926	NUT-3/8-16 UNC HEX LOCK JAMB
52	1	991-0147-27Y	BRIDGE PLATE (991-0147A27Y INCL.45,52-65)
51	1	V955-0208	COLLAR-ROLL STOP-TORSION BAR
50	4	C955-0304BKN-52	SIDE PLATE TRACK
49	4	14993	RIV-POP-SD66BS-3/16"-.25/.38/AUTO-BK
48	2	36142	STOW GUIDE-VISTA PLATFORM
47	1	28132F	ROD-5/32"-TORSION SPRING BAR-FR
46	1	28132R	ROD-5/32"-TORSION SPRING BAR-RR
45	4	24442	BEARING-FLANGE-1/2" X 1/4"-08FDU04
44	1	C994-0333R	LINK-PLATFORM/VERT CHANNEL-REAR
43	2	12463	BOLT-3/8-16 X 3/4 GR5-HEX/AUTO-BK
42	2	10025	BOLT-3/8-16 X 1" HEX/AUTO-BK
41	4	10069	WASHER-3/8" LOCK
40	8	29378	WASHER-THRUST-1.125 OD/.625 ID/.585T
39	2	C955-0329BKN	GEAR RACK-PLATFORM FOLD
38	2	975-2202	PIN-BEARING-GEAR RACK
37	2	975-2334	PIN-BEARING-GEAR RACK
36	4	975-2359	BEARING-PLATFORM-SLIDE

Exploded Views and Parts Lists

Platform Assembly

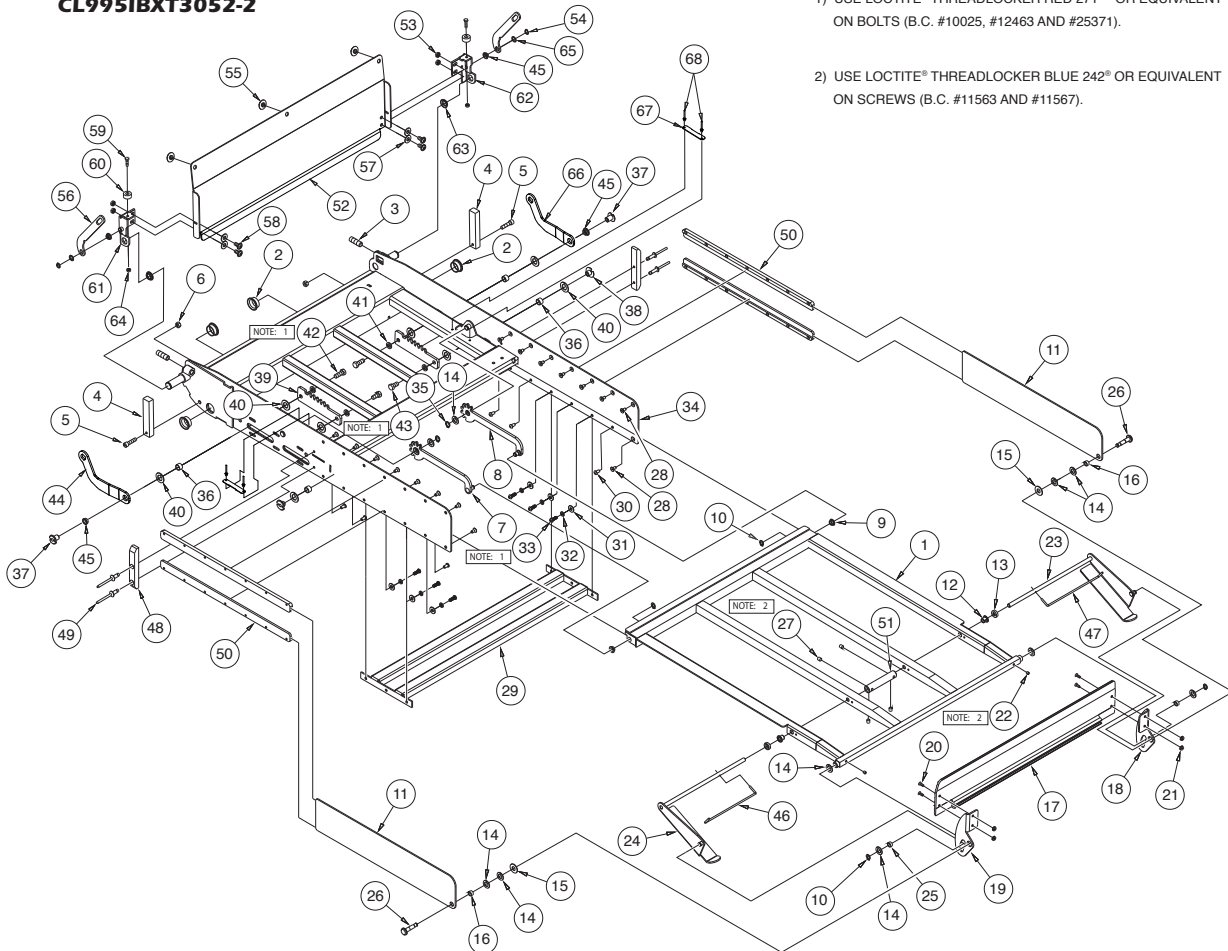
Applicable Lift:

CL9951BXT3052-2

NOTICE

1) USE LOCTITE® THREADLOCKER RED 271™ OR EQUIVALENT ON BOLTS (B.C. #10025, #12463 AND #25371).

2) USE LOCTITE® THREADLOCKER BLUE 242® OR EQUIVALENT ON SCREWS (B.C. #11563 AND #11567).



ITEM	QTY.	PART NO.	DESCRIPTION
35	2	13273	RING-1/2 EXT SELF LOCK SNAP/AUTO-BK
34	1	C955-03052INW	PLATFORM WELDMNT FIXED INNER
33	6	25371	BOLT-1/4-20 X 3/4" BHCS NYLK/BKZN
32	6	10067	WASHER-1/4" LOCK/AUTO-BK
31	6	10062	WASHER-1/4" FLAT/AUTO-BK
30	6	15733	BOLT-1/4-20 X 1/2 BUT HD SOC/AUTO-BK
29	1	34896W30	PLATFORM BRACE-CL955XT-30"
28	16	18860	SCREW-1/4-20 X 1/2 FHSCS/ZINC
27	4	11567	SCREW-5/16-18 X 5/16" SET
26	2	34895	PIN-BEARING-PLATFORM OUTER PIVOT-CL955
25	2	945-0336N	BEARING-PLATFORM SLIDE
24	1	GV936-3204RW	LATCH FOOT/REAR/WMT
23	1	GV936-3204FW	LATCH FOOT/Front/WMT
22	2	11563	SCREW-1/4-20 X 1/4 SET CUP PT
21	4	18349	NUT-#10-32 W/LOCKWASHER/AUTO-BK
20	4	17192P	SCREW-#10-32 X 1/2 FHDHXS-AUTO BLK-W/PAT
19	1	GV936-3203RRBKN	ROLL STOP ARM-REAR
18	1	GV936-3203FRBKN	ROLL STOP ARM-FRONT
17	1	V955-0312-30Y	ROLL STOP-TOP-30"
16	2	975-2358	BEARING-PLATFORM-SLIDE
15	2	10064	WASHER-3/8" FLAT/AUTO-BK
14	10	29371	WASHER-THRUST-.875 OD/.50 ID/.0585T
13	2	30843	SPACER-UHMW 0.75 OD X .39 ID X 0.20
12	2	28128	BEARING-FLANGE-10MM X 12MM-BB1012DU
11	2	C955-0361BKX-52	MOVING SIDE PLATE
10	4	13889	RING-3/8 RETAINING SNAP
9	2	24028	BEARING-PLASTIC-FLANGE-3/8ID X 1/4"
8	1	C955-0328FRABKN	GEAR ASSEMBLY/FRONT
7	1	C955-0328RRABKN	GEAR ASSEMBLY/REAR
6	2	28324BK	NUT-5/16-18 TOP LOCK/AUTO-BK
5	2	81003-000	SCREW-5/16-18 X 1-1/4 SHCS BK ZINC
4	2	900-0311	STOP-PLATFORM
3	2	18663	SCREW-1/2-20 X 1.5 SET-LOCK
2	4	28031	BEARING-FLANGE-1 X 1/2-16FDU08
1	1	C955-33052OTW	PLATFORM WELDMNT MOVABLE-OUTER

ITEM	QTY.	PART NO.	DESCRIPTION
70	2	30236R35.5	DECAL-BOUNDARY YELLOW LEXAN 1" X 35.5" (NOT SHOWN)
69	1	30236R28.5	DECAL-BOUNDARY YELLOW LEXAN 1" X 28.5" (NOT SHOWN)
68	4	11513	RIVET-POP-SD64BS-3/16".13/.25" / AUTO-BK
67	2	35909	COVER-VL GEAR OPENING
66	1	C994-0333F	LINK-PLATFORM/VERT CHANNEL-FRONT
65	2	25336	WASHER-.516ID X .75OD X .0250/AUTO-BK
64	2	14614Z	NUT-1/4-20 NYLOCK-ZINC
63	2	24012	BEARING-FLANGE-3/4" X 1/2" 1/4"-12FDU04
62	1	985-0431FNW	BRIDGEPLATE BKT WMT-FR
61	1	985-0431RNW	WMT-BKT-BRIDGEPLATE-REAR
60	2	33654	BUMPER-1" X 1/2" LG BLK UHMW/BRIDGEPLATE
59	2	10001	BOLT-1/4-20 X 1" HEX
58	4	25171	BOLT-3/8-16 X 3/4" FLBHSCS-GD8
57	4	10064	WASHER-3/8" FLAT/AUTO-BK
56	2	991-0404	LEVER-IB
55	3	916-5406	BEARING-UHMW FLAT-THIN-BLK
54	2	13273	RING-1/2 EXT SELF LOCK SNAP/AUTO-BK
53	4	20926	NUT-3/8-16 UNC HEX LOCK JAMB
52	1	991-0147-30Y	BRIDGE PLATE (991-0147A30Y INCL 45,52-65)
51	1	995-0208	COLLAR-ROLL STOP-TORSION BAR
50	4	C955-0304BKN-52	SIDE PLATE TRACK
49	4	14993	RIV-POP-SD66BS-3/16".25/.38/AUTO-BK
48	2	36142	STOW GUIDE-VISTA PLATFORM
47	1	28132F	ROD-5/32"-TORSION SPRING BAR-FR
46	1	28132R	ROD-5/32"-TORSION SPRING BAR-RR
45	4	24442	BEARING-FLANGE-1/2" X 1/4"-08FDU04
44	2	C994-0333R	LINK-PLATFORM/VERT CHANNEL-REAR
43	2	12463	BOLT-3/8-16 X 3/4 GR5-HEX/AUTO-BK
42	2	10025	BOLT-3/8-16 X 1" HEX/AUTO-BK
41	4	10069	WASHER-3/8" LOCK
40	8	29378	WASHER-THRUST-1.125 OD/.625 ID/.585T
39	2	C955-0329BKX	GEAR RACK-PLATFORM FOLD
38	2	975-2202	PIN-BEARING-GEAR RACK
37	2	975-2334	PIN-BEARING-GEAR RACK
36	4	975-2359	BEARING-PLATFORM-SLIDE

Decals and Antiskid



Notice: Clean surfaces with isopropyl alcohol before decal or antiskid application. Use a clean cloth or paper towels. Do not use oily shop rags. Wipe surface free of residue with dry portion of cleaning cloth.

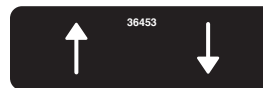
Antiskid

Antiskid		
Size	Color	Part No.
51 mm x 305 mm (2" x 12")	Black	24172-BK
76 mm x 305 mm (3" x 12")	Black	24173-BK
152 mm x 203 mm (6" x 8")	Black	28311-BK
152 mm x 254 mm (6" x 10")	Black	32038-BK
152 mm x 305 mm (6" x 12")	Black	24174-BK

Decals



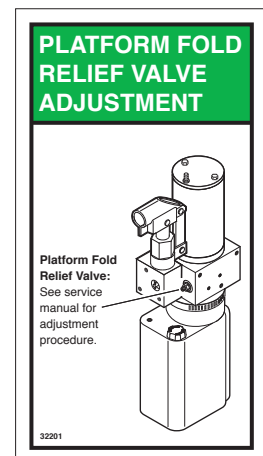
37591
Decal, Warn, Instl/Serv & QC Insp, Intl, CE
(70 mm x 92 mm - 2.75" x 3.613")



36453
Decal, Up/Down Pendant Rocker
(35 mm x 11 mm - 1.375" x .8125")



36454
Decal, Fold/Unfold Pendant Rocker
(35 mm x 11 mm - 1.375" x .8125")



32201
Decal, Dual Relief Adjustment
(44 mm x 80 mm - 2" x 3")

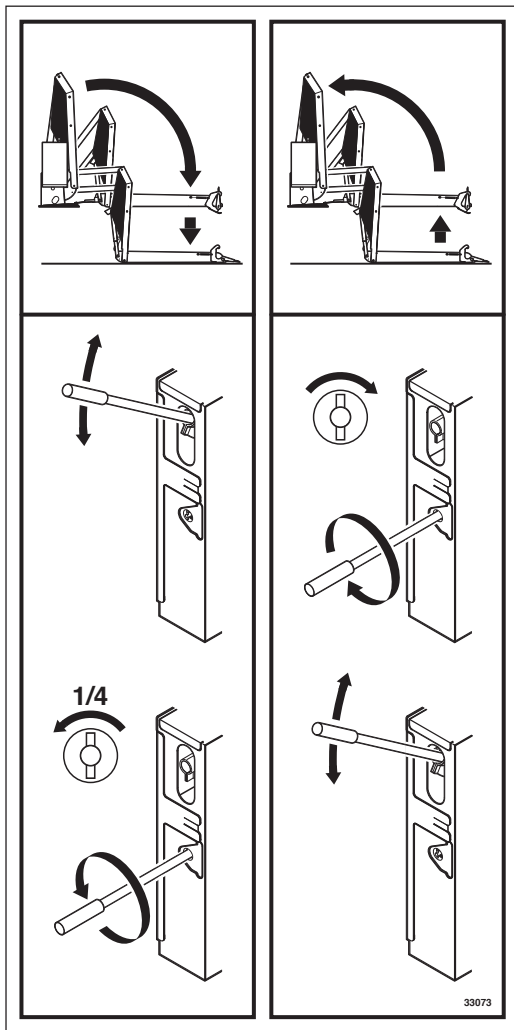


(2 Sizes Available)

24369-10
Decal, Stripes, Yellow & Black Lexan
(38 mm x 254 mm - 1.5" x 10")

24369-12
Decal, Stripes, Yellow & Black Lexan
(38 mm x 305 mm - 1.5" x 12")

Decals and Antiskid



33073
Decal, Manual OP-INTL Public DPA-Pictoral
(90 mm x 181 mm - 3.563" x 7.125")


 for your independence
 - A PART OF THE BRAUN CORPORATION

AUTOADAPT AB
 Åkerivägen 7
 S-443 61 Stenkullen Sweden
 Phone: +46 (0)302 254 00
 E-mail: contact@autoadapt.se

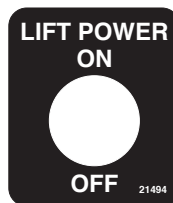
AUTOADAPT UK LTD
 Unit 1, Windsor Industrial Estate,
 Rupert Street Aston,
 Birmingham B7 4PR, UK
 Phone: +44 (0)121 33 35 170
 E-mail: contact@autoadapt.co.uk

www.autoadapt.com

37588
Decal, Authorized Rep,
Autoadapt, Intl, CE
(51 mm x 80 mm - 2" x 3.15")



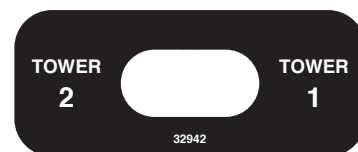
32094
Decal, Reflector/Light Kit
(54 mm x 89 mm - 2.125" x 3.5")



21494
Lift Power On/Off
(30mm x 35mm - 1.188" x 1.375")

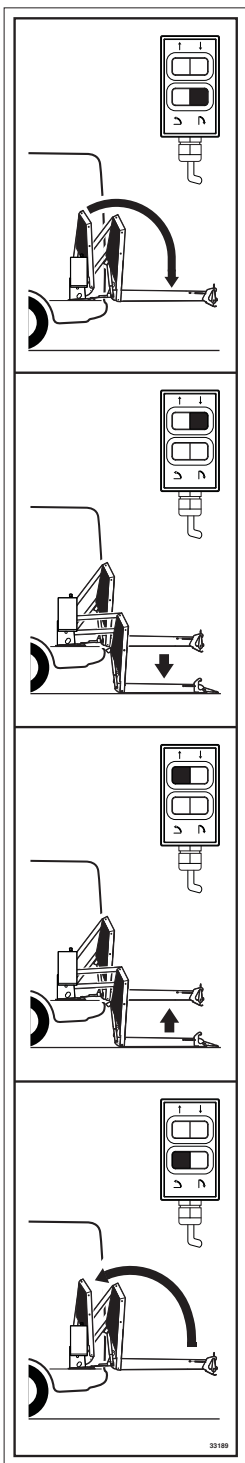


32943
Switch Label -
Tower 4 and Tower 3
(54 mm x 89 mm - 2.125" x 3.5")



32942
Switch Label -
Tower 2 and Tower 1
(54 mm x 89 mm - 2.125" x 3.5")

Decals and Antiskid



33189
Decal, Lift OP-Intl
Public DPA-Pictoral
(64 mm x 381 mm - 2.5" x 15")



36515
Decal, Label, Emergency Stop,
Intl, CE
(70 mm Dia. - 2.75" Dia.)



37589
Decal, Warn, Hydraulic
Press Adj, Intl, CE
(50 mm x 53 mm - 1.96" x 2.08")

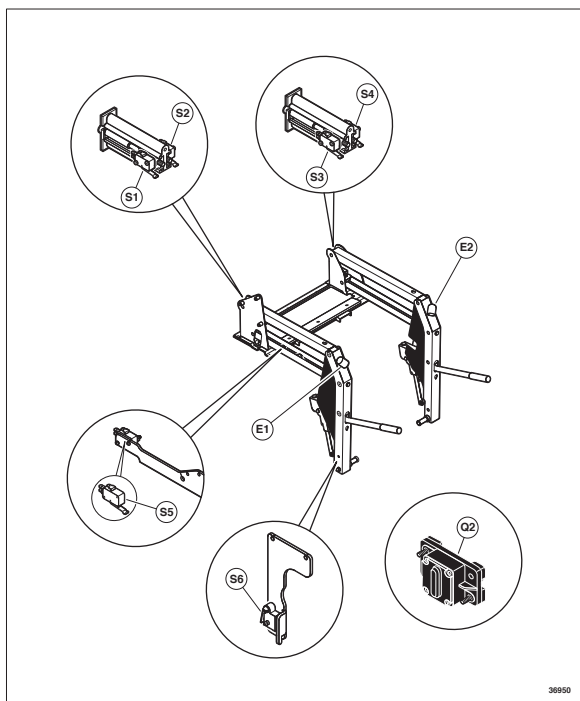


37608
Decal, Logo,
Century, Autoadapt
(56 mm x 197 mm - 2.188" x 7.75")

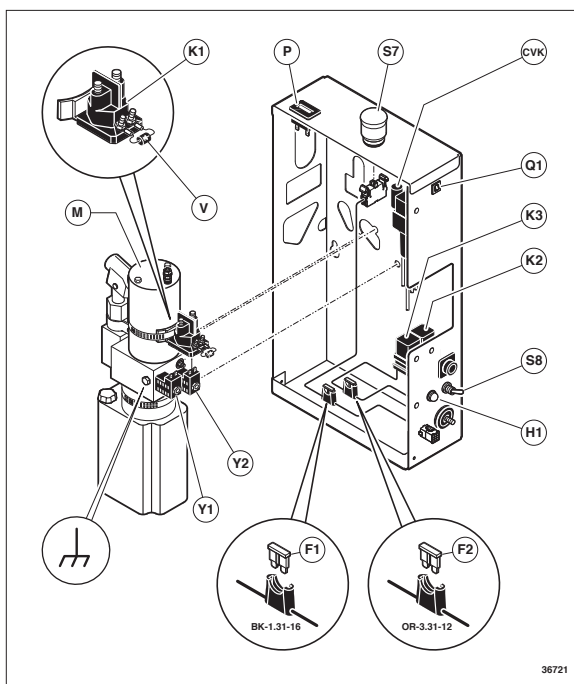


37611
Decal, Logo, Side Plate, 1.75" Tall, Autoadapt
(192 mm x 44 mm - 7.5625" x 1.75")

Decals and Antiskid



36950
Decal, Electrical Components,
Lift, Rear, CE, 26 & 42 FTG, Public
(152 mm x 184 mm - 6" x 7.25")



36721
Decal, Electrical Components,
Module, Rear, CE, VL & CL, Public
(127 mm x 149 mm - 5" x 5.875")



36512
Decal, Hazard, Hot Lights,
DPA, Intl, Pictoral
(38 mm x 34 mm - 1.5" x 1.34")



36514
Decal, Hazard, Stay Clear,
Intl, Pictoral
(41 mm Dia. - 1.625" Dia)




36513
Decal, Hazard, Electrical Shock,
Intl, Pictoral
(38 mm x 34 mm - 1.5" x 1.34")

Fuse No.	Voltage	Amperage	SC I/R	Type	Size
F1	32 VDC	5 Ampere	1000A @ 32VDC	FF	0.75"L x 0.2"W x 0.488"H
F2	32 VDC	15 Ampere	1000A @ 32VDC	FF	0.75"L x 0.2"W x 0.488"H

36645
Decal, Fuse Specifications, Intl,
DPA Public
(152 mm x 22 mm - 6" x .875")



30236R
Tape, Vinyl, Yellow
(25 mm - 1" Wide)

EC Declaration of Conformity With Council Directive 2006/42/EC		
Date of Issue:	4 January 2012	
Directive:	Machinery Directive on machinery safety, 2006/42/EC	
Conforming Machinery:	Dual Parallel Arm Hydraulic Lift System Century -2, Millennium -2, Vista -2, GL Series 04 and newer, GCL and GVL Series 05 and newer Lifts	
Manufacturer:	Braun Corporation 631 West 11 th Street Winamac, IN 46996 USA	
Authorized Representative:	<p>Braun Corporation Authorized Representative</p> <p>AUTOADAPT AB Åkerivägen 7 S-443 61 Stenkullen SWEDEN Telephone: +46 (0) 302 254 00 E-mail: contact@autoadapt.se</p> <p>AUTOADAPT UK LTD Unit 1, Windsor Industrial Estate, Rupert Street Aston, Birmingham B7 4PR, UK Phone: +44 (0) 121 33 35 170 E-mail: contact@autoadapt.co.uk</p>	
Harmonized Standards Referenced or Applied:	BS EN 13857:2008, BS EN ISO 13850:2008, EN ISO 14121-1:2007, BS EN 349:1993+A1:2008, BS EN 953:1997+A1:2009, BS EN 1037:1995+A1:2008, BS EN 982:1996+A1:2008, BS EN 614-1:2006+A1:2009, EN 60204-1:2006, BS EN 1756-2:2004+A1:2009	
Specifications with which Conformity is Declared:	Essential Health and Safety Requirements of Annex 1 of the Machinery Directive	
We hereby certify that the machinery described above conforms with the essential health and safety requirements of Council Directive 2006/42/EC on the approximation of the laws of the Member States relating to the safety of machinery.		
Technical File Reference Number	SF10933A1.BC	



Notes on Declared Standards referenced in the Declaration.

BS EN 13857:2008	Safety of machinery. Safety distances to prevent hazard zones being reached by upper and lower limbs.
BS EN ISO 13850:2008	Safety of machinery - Emergency stop - Principles for design.
EN ISO 14121-1:2007	Safety of machinery - Risk assessment - Part 1: Principles.
BS EN 349:1993+A1:2008	Safety of machinery. Minimum gaps to avoid crushing of parts of the human body.
BS EN 953:1997+A1:2009	Safety of machinery. Guards. General requirements for the design and construction of fixed and moveable parts.
BS EN 1037:1995+A1:2008	Safety of machinery. Prevention of unexpected start-up.
BS EN 982:1996+A1:2008	Safety of machinery. Safety requirements for fluid power systems and their components. Hydraulics.
BS EN 614-1:2006+A1:2009	Safety of machinery - Ergonomic design principles - Part 1: Terminology and general principles.
EN 60204-1:2006	Safety of machinery. Electrical equipment of machines. General requirements.
BS EN 1756-2:2004+A1:2009	Tail Lifts-Platform lifts for mounting on wheeled vehicles-Safety Requirements-Part 2: Tail lifts for passengers.



Declaration of Noise Emission

The Braun Corporation Century -2 International Series System Sound Pressure Levels per EN ISO 11202 as based on testing on similar models are as follows:

	Operating	Idle
LpAm (Operator Position)	75 dB (A)	68 dB (A)
LpAm (Bystander Position)	73 dB (A)	69 dB (A)
Ambient Correction Factor K3A calculated according to EN ISO 11204 Appendix A.		4 dB (A)
Measurements were made at a height of 1.5 m and 1 m from the Operator Position and Bystander positions.		
The difference between the extraneous noise level and the sound intensity level at each measuring point is:		<i>LpAm</i> Δ = 6 dB (A)
The figures quoted are emission levels and are not necessarily safe working levels. While there is a correlation between the emission and exposure levels this cannot be used reliably to determine whether or not further precautions are required.		
Factors that influence the actual level of exposure of the workforce include characteristics of the work room, the other sources of noise, etc. such as the number of machines and other adjacent processes. Also, the permissible level of exposure can vary from country to country.		
This information, however, will enable the user of the machine to make a better evaluation of the hazard and risk.		
	Braun Corporation 631 W. 11th Street Winamac, IN 46996 USA	

Declaration of Conformity With Directive 2004/108/EC		CE
Date of Issue:	4 January 2012	
Directive:	Radio Interference of Vehicles 2004/108/EC	
Conforming Machinery:	Dual Parallel Arm Hydraulic Lift System Century -2, Millennium -2, Vista -2, VL998, GL Series 04 and newer, GCL and GVL Series 05 and newer Lifts	
Manufacturer:	Braun Corporation 631 West 11 th Street Winamac, IN 46996 USA	
Authorized Representative:	Braun Corporation Authorized Representative AUTOADAPT AB Åkerivägen 7 S-443 61 Stenkullen SWEDEN Telephone: +46 (0) 302 254 00 E-mail: contact@autoadapt.se AUTOADAPT UK LTD Unit 1, Windsor Industrial Estate, Rupert Street Aston, Birmingham B7 4PR, UK Phone: +44 (0) 121 33 35 170 E-mail: contact@autoadapt.co.uk	
Harmonized Standards Referenced or Applied:	EN50498:2010	
We hereby certify that the machinery described above conforms with Directive 2004/108/EC		
Technical File Reference Number	SF10933A1.BC	

"Providing Access to the World"®



**Over 300 Braun
Dealers Worldwide**



www.braunability.com/international ISO 9001:2008

631 West 11th Street, Winamac, IN 46996, USA

Phone: +1 574 946 6153

Fax: +1 574 946 4670

Service Manual
International
Century 2
CLXT

Public Use
Wheelchair Lifts

Series AA

Braun Limited Warranty

Consult your local Braun dealer regarding warranty policy.

www.braunlift.com/international

Patent #5,261,779

Patent #6,238,169

Patent #6,464,447

Patent #6,599,079

Patent #6,692,217

Patent #6,837,670

Patent #7,306,422

Patent #7,413,395

Patent #7,419,349

Patent #7,422,408

Patent #7,441,995

Patent #7,530,226

Patent #CA 2,335,081



www.braunability.com/international ISO 9001:2008

631 West 11th Street, Winamac, IN 46996, USA

Phone: +1 574 946 6153

Fax: +1 574 946 4670

36713 Rev. A
December
2012

All illustrations, descriptions and specifications in this manual are based on the latest product information available at the time of publication. The Braun Corporation reserves the right to make changes at any time without notice.



Original Instructions

© The Braun Corporation