



2010 *International* Application Guide • Volume 9 • Issue 1 • 1-11-10



**VISTA SERIES™**

# Vista Series™ Models

## VL917IB / VL917FIB

Useable Platform:  
33" x 51"  
(84 cm x 130 cm)

## VL995IB2740

Useable Platform:  
26.75" x 39.75"  
(68 cm x 101 cm)

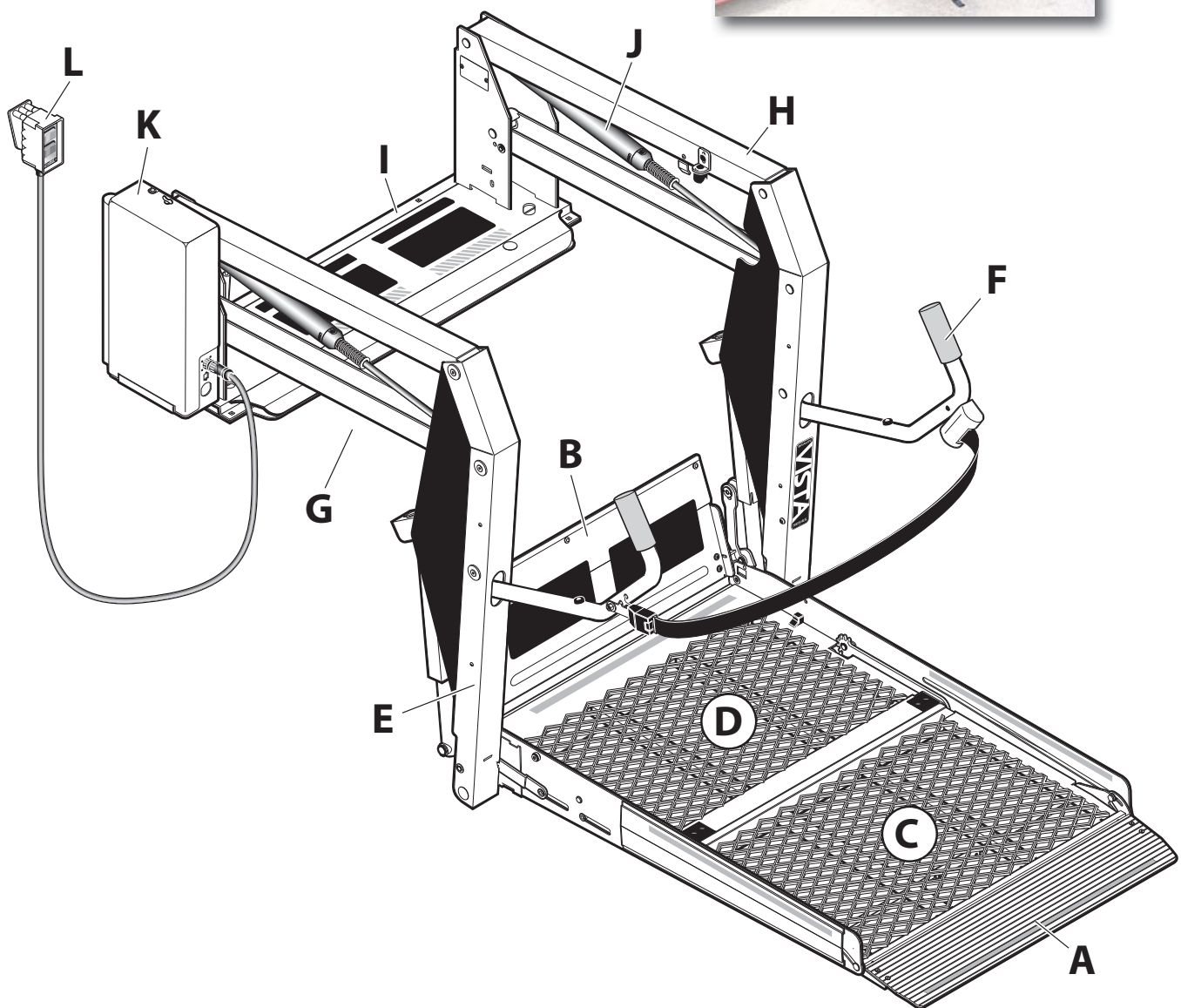
## VL995IB2744

Useable Platform:  
26.75" x 43.75"  
(68 cm x 111 cm)

## VL918IB / VL918FIB

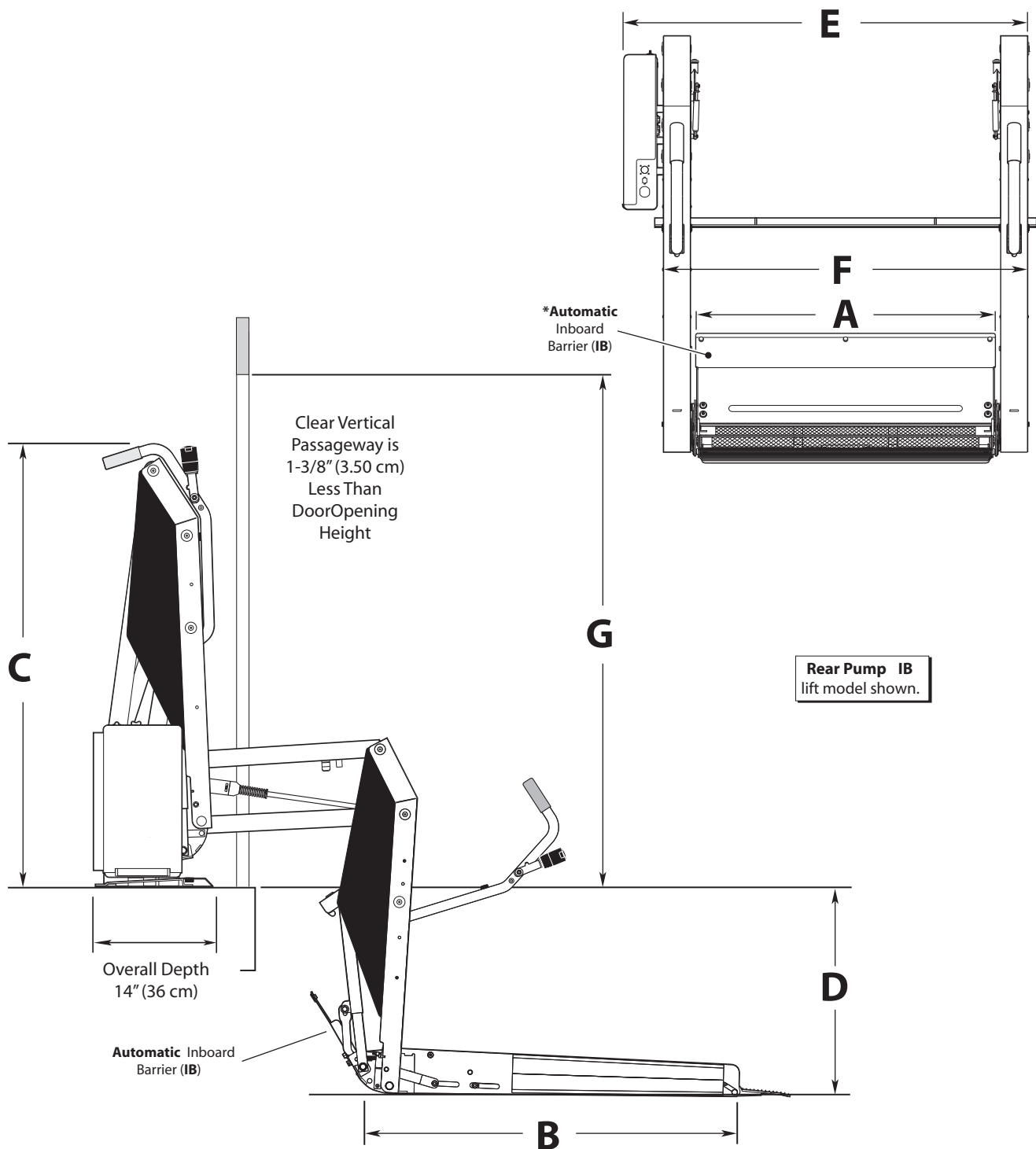
Useable Platform:  
33" x 48"  
(84 cm x 122 cm)

F = Front Pump IB = Inboard Barrier For a front-mounted pump assembly, add "F" to the model number when ordering (example: VL917FIB).



<b>A</b> - Automatic Outboard Barrier	<b>G</b> - Bottom Parallel Arms (2)
<b>B</b> - Inboard Barrier (IB)	<b>H</b> - Top Parallel Arms (2)
<b>C</b> - Outboard Platform	<b>I</b> - Base Plate
<b>D</b> - Inboard Platform	<b>J</b> - Cylinder (2)
<b>E</b> - Vertical Arms (2)	<b>K</b> - Pump Module
<b>F</b> - Handrails (2)	<b>L</b> - Hand-Held Control Box

# Vista Series™ Dimensions



All dimensions are for reference only.

Vista Series™		A	B	C	D	E	F	G	
Lift Model Number	Operation		Clear Platform Width	Clear Platform Length	Overall Lift Height	Max. Floor to Ground	Overall Lift Width	Min. Clear Door Opening Width	Min. Clear Door Opening Height
	User	Attdt.							
VL917IB / VL917FIB		X	33"(84cm)	51"(130cm)	55"(140cm)	48"(122cm)	46.5"(118cm)	42"(107cm)	56.75"(144cm)
VL918IB / VL918FIB		X	33"(84cm)	48"(122cm)	54"(137cm)	42"(107cm)	46.5"(118cm)	42"(107cm)	55.5"(141cm)
VL995IB2740		X	26.75"(68cm)	39.75"(101cm)	44"(112cm)	26.75"(68cm)	40.5"(103cm)	36.5"(93cm)	44.75"(114cm)
VL995IB2744		X	26.75"(68cm)	43.75"(111cm)	48"(122cm)	26.75"(68cm)	40.5"(103cm)	36.5"(93cm)	48.75"(124cm)

# Vista Series™ Specifications

**General Function:** Electrohydraulic, power up/gravity down operation

**Operation:** Hydraulic pump with two lifting cylinders

**Control:** hand-held control box

**Hydraulic:** VL917/VL918 - Pressure Max. 2,988 psi (206 bar), Fluid is Unavis HVI 26, reservoir is .25 gal (1.0 L)

VL995 - Pressure Max. 2,495 psi (172 bar), Fluid is Unavis HVI 26, reservoir is .33 gal (1.25 L)

**Construction:** Steel structure with powder coat finish

**Lift Weight:** VL917/VL918 - 350 lbs (159 kg) VL995 - 246 lbs (111 kg)

**Lifting Capacity:** VL917/VL918 - 800 lbs (363 kg) VL995 - 450 lbs (204 kg)

**Operating Temperature:** 19°F to 149°F (-7°C to 65°C)

**Power Supply:** VL917/VL918 - 12V DC or 24V DC VL995 - 12V DC

**Current Consumption:** Max. 70A (12V), Max. 35A (24V)



# Vista Series™ Accessories



Lift comes standard with a 24879A-10 Hand-Held Control Kit.

Hand Controls for VL917/VL918 only.

## STANDARD CABLE

**24879A-10** 10' Quick-Disconnect Hand-Held Control Kit

**24879A** 15' Quick-Disconnect Hand-Held Control Kit

## COIL-CORD CABLE

**24880A-10** 10' Quick-Disconnect Hand-Held Control Kit

## ARMORED CABLE

**24881A-10** 10' Quick-Disconnect Hand-Held Control Kit

**24881A** 15' Quick-Disconnect Hand-Held Control Kit



**27254A**

**Upper Tower Wall Brackets Kit**



## Vista Series™ Features



- fully automatic lift, operated by an attendant
- parallel arm lift with hydraulic cylinders
- unique stacking platform improves driver and passenger visibility through the window and allows access to the door lock normally blocked by the platform
- hand-held control box with color-coded rocker switches for easy operation of the lift
- quick-disconnect hand-held control for simple connection of optional controls or easy field replacement (VL917/VL918 only)
- side or rear door application
- dual handrails for security and convenience
- interlocking restraint belt enables lift operation when engaged (VL917/VL918 only)
- mechanically operated outboard barrier that will be in the fully up position as the platform leaves the ground
- mechanical inboard barrier (IB), ensuring extra safety for the wheelchair occupant
- bridging feature permits the wheelchair user to board the lift from sidewalks or inclines
- integrated back-up pump
- equipped with an adjustable anti-rattle feature to avoid unpleasant noise in the vehicle during transit
- durable high-gloss powder coated finish
- Lift-Tite system stows the lift platform securely while the vehicle is in transit
- pump module with removable cover offers easy access to all components



[www.braunability.com/international](http://www.braunability.com/international)

**ISO 9001:2000**

631 West 11th Street, Winamac, IN 46996, USA Phone: +1 574 946 6153 Fax: +1 574 946 4670