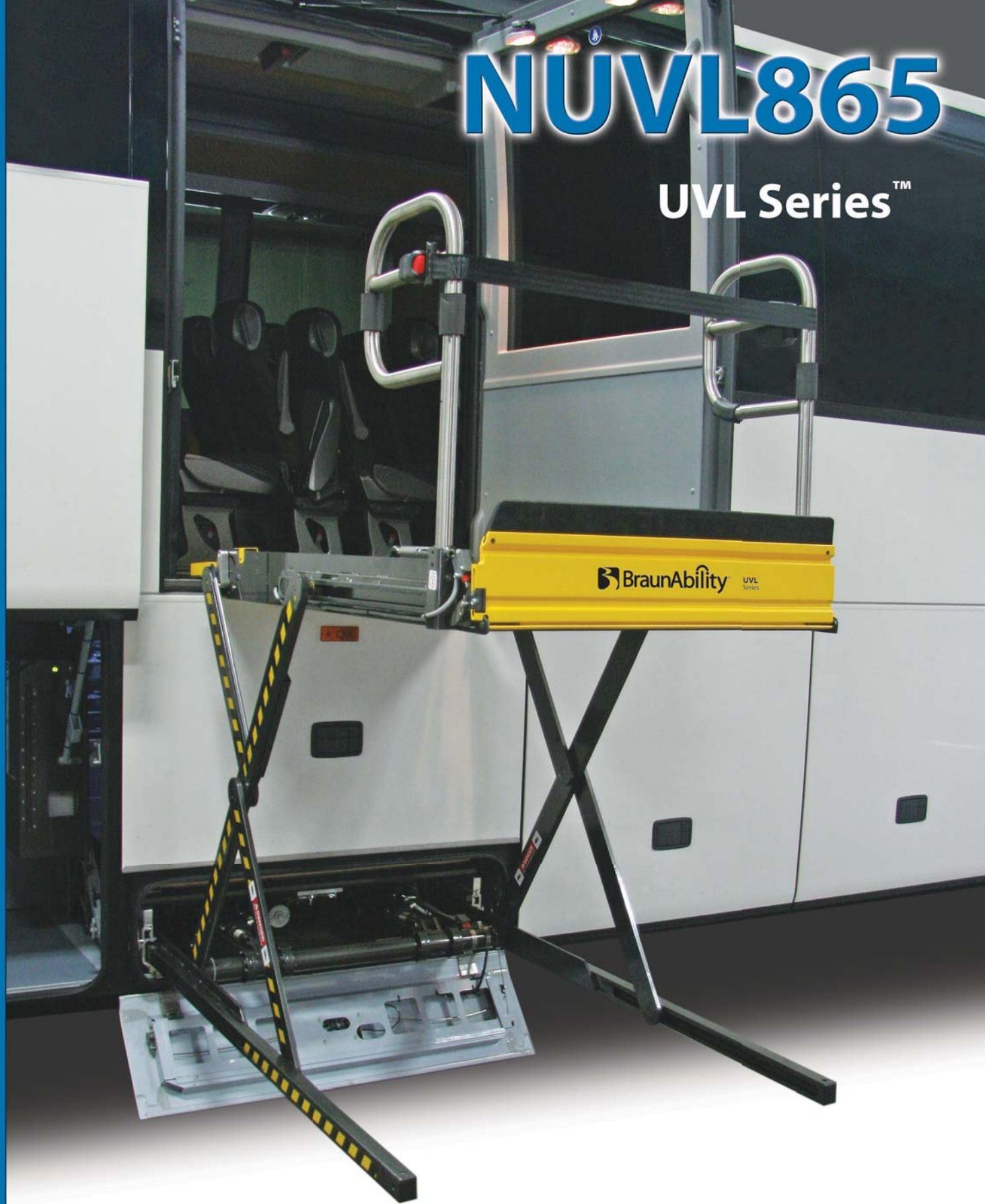


Commercial Wheelchair Lifts

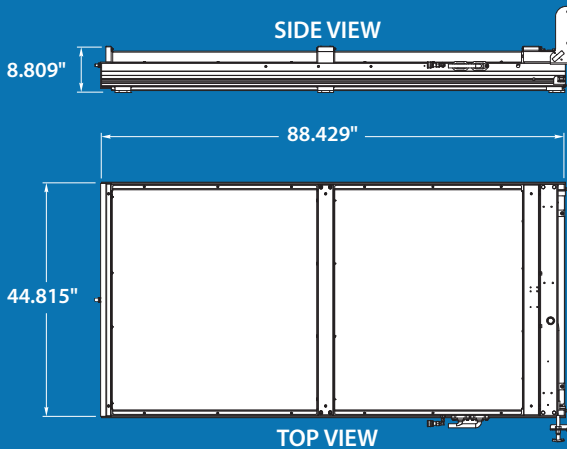
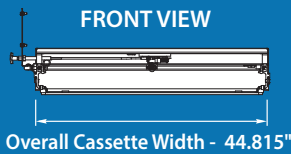
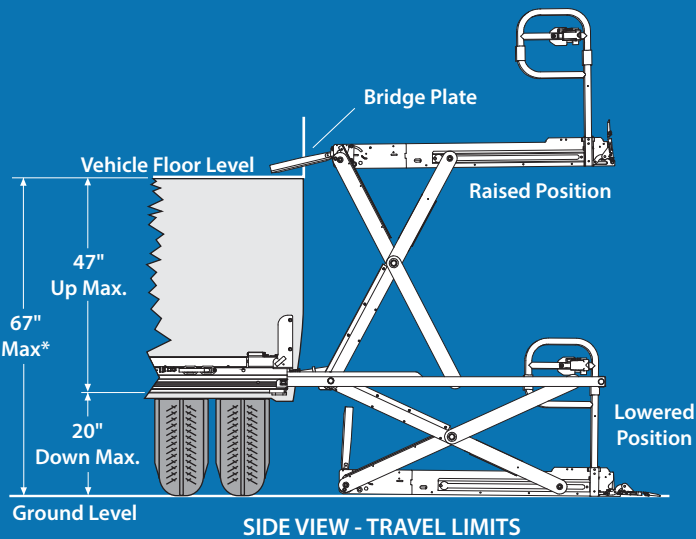
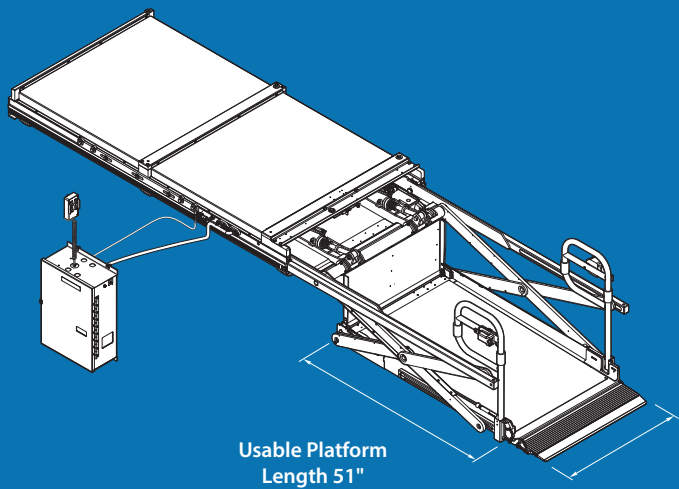
NUVL865

UVL Series™



 **BraunAbility**[®]
Life is a Moving Experience™

NUVL865



- Designed for motorcoach applications
- FMVSS 403 compliant
- Automatic inboard / outboard barriers
- 750# lifting capacity
- Scissor arm design provides smooth straight up and down motion
- Interlocking handrail belt

 **BraunAbility**[®]
Life is a Moving Experience[™]

631 West 11th Street • Winamac, IN 46996
(574) 946-6153 • 1-800-THE-LIFT
www.braunability.com/commercial

All illustrations, descriptions and specifications in this brochure are based on the latest product information at the time of publication. BraunAbility reserves the right to make changes at any time without notice. © 2015 The Braun Corporation 301678